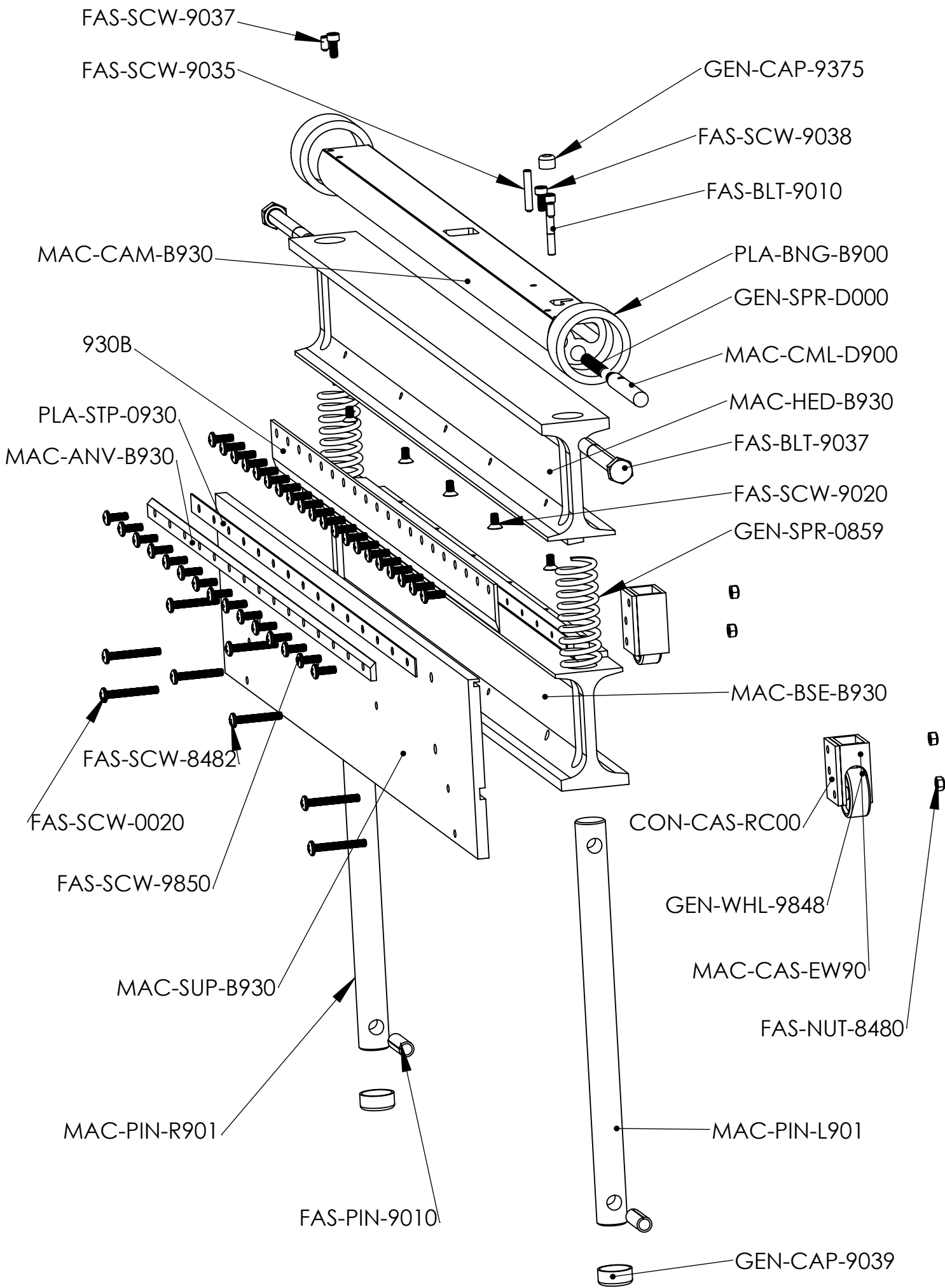


PartNo	DESCRIPTION	RCT 30/QTY.
	Power Head Subassembly	1
MAC-RAL-B900	I-Series Rail	1
MAC-RAL-BL30	RTC-30 Short Rail	1
	Upper Handle Assembly	1
	Lower Handle Assembly	1
FAS-BLT-9020	M16-2 x 40mm BHSCS	1
FS-708-07	#12x1 PHP SMS	4
	Fence Subassembly	1
FAS-KIT-900A	M8x25 PHP	4
FAS-SCW-9850	M6x16 PHP	9
PLA-TAL-0930	RCT 30/40 Tail	2
PLA-TBL-R930	RCT30 Table	1
GEN-RUL-0846	Ruled Sticker	1
MAC-CAS-B934	RCT-Series Castor Bracket	2
GEN-WHL-9848	1.6x.72x7/32 Wheel	2
FAS-SCW-8483	M8x80 PHP MS Pltd	4
FAS-SCW-8481	M6x35 PHP	2
FAS-NUT-8480	M6 Nylock Nut	2



ITEM NO.	PartNo	DESCRIPTION	RCT-30 Head Assembly/QTY.
1	FAS-SCW-9037	M6x12 Cup point SS	2
2	FAS-BLT-9010	M6x45 SHCS	1
3	FAS-SCW-9035	M6x35 Cup Point Set Screw	1
4	GEN-CAP-9375	.4" Vinyl Cap RED	1
5	MAC-CML-D900	B-Series Lock Pin	1
6	GEN-SPR-D000	3/8" x4" fine wire spring	1
7	MAC-CAM-B930	I-30 Cam	1
8	MAC-HED-B930	I-30 Head	1
9	FAS-BLT-9037	1/2x4.5 Grade 5 Hex CS	2
10	930B	RCT-30 Blade	1
11	FAS-SCW-9850	M6x16 PHP	35
12	MAC-PIN-L901	I-Series Pin (left)	1
13	MAC-PIN-R901	I-Series Pin (left)	1
14	MAC-BSE-B930	I-30 Base	1
15	PLA-STP-0930	RCT-30 Blade Stop	1
16	MAC-ANV-B930	RCT-30 Anvil	1
17	FAS-PIN-9010	1/2" x 1.5" Roll Pin	2
18	GEN-CAP-9039	FCR-16 Vinyl Cap	2
19	GEN-WHL-9848	1.6x.72x7/32 Wheel	2
20	FAS-NUT-8480	M6 Nylock Nut	4
21	MAC-CAS-EW90	East-West RCT Castor Bracket	2
22	MAC-SUP-B930	RTC-30 Support Rail	1
23	PLA-CSP-RC90	RCT Castor Bracket Spacer	1
24	FAS-SCW-9038	M6 x 14 to 16 SHCS Pltd	2
25	GEN-SPR-0859	1" ID spring 72778	2
26	FAS-SCW-8482	M6x40 PHP	4
27	FAS-SCW-0020	M6x45 PHP MS Pltd	4
28	PLA-BNG-B900	B-Series Nylon Bearing	2
29	FAS-SCW-9020	M6 x 12 FHSCS	5
30	CON-CAS-RC00	RCT Castor Bracket Spacer	1