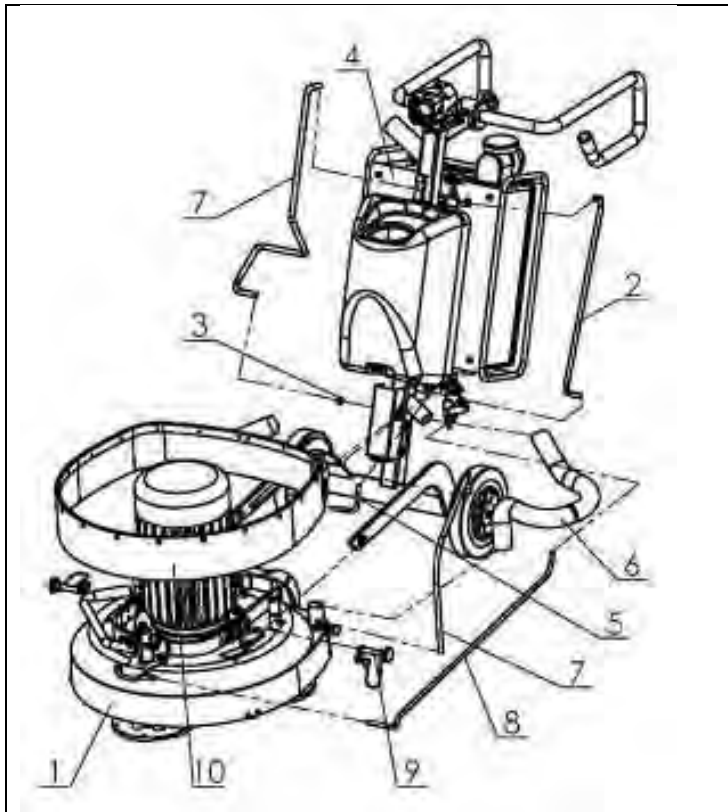


TRI-VARO 650 XE

Maschinen, Geräte, Fachwerkzeuge für
Raumausstatter, Fußbodenleger und
den Fußbodenbelagshandel

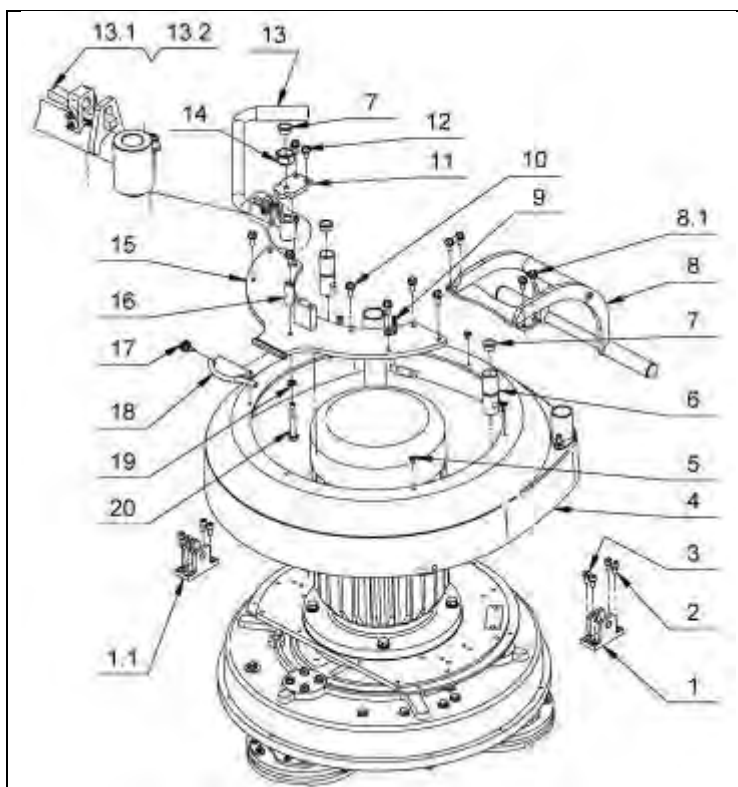
Artikelnr.: 112 991 800

Seite 1 von 7 / 1-2015



1. GENERAL PARTS

No.	Item No.	Description	Pcs.
1	L25X-10.00.00	Main Head	1
2	MAR8.71	Tube	1
3	10-16DIN3017	Clamp	2
4	L25X-20.00.00	Carriage	1
5	MAR8.25	Tube	1
6	D40L700	Vacuum Hose	2
7	MAR8.85	Tube	2
8	MAR8.110	Tube	1
9	L25SPS-07.03.00.00	Pin Assembly	2
10	L25SPS-05.00.00.00	Guard Assembly	1



2. COVER PARTS 1

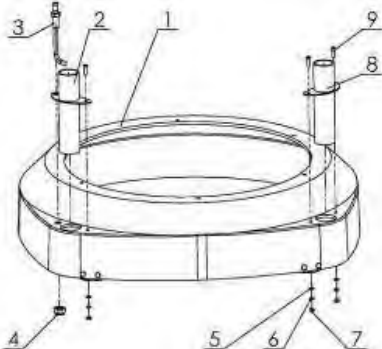
No.	Item No.	Description	Pcs.
1	L25SPS-07.00.00.02-L	Left Fork	1
1.1	L25SPS-07.00.00.02-R	Right Fork	1
2	M8X16DIN912	Screw	6
3	M8X20DIN7991	Screw	2
4	L25X-19.00.00	Top Cover Assembly	1
5	M6X10ISO7380F	Screw	5
6	L25NSPS-07.00.00.05	Back Weight Holder	2
7	L25SPS-07.00.00.29	Rubber Buffer	3
8	L25X-18.00.00	Machine Support	1
8.1	M8X16DIN6921	Bolt	4
9	L25X-15.00.02	Washer	1
10	M8X20DIN6921	Bolt	8
11	L25X-15.00.04	Support Top L25-X	1
12	M8X16DIN6921	Bolt	2
13	L25S-15.10.00	Bar Assembly L25-S	1
13.1	L25S-15.10.02	Lever	1
13.2	L25S-15.10.03	Spring L25-S	1
14	L25X-15.10.01	Nut	1
15	L25X-15.11.00	Inspection Cover	1
16	L25SPS-07.00.00.26	Stud	1
17	H766-21	Knob bolt	1
18	A29.12.00	Spray Unit	1
19	M10DIN127B	Spring Washer	1
20	M10X75DIN931	Bolt	1

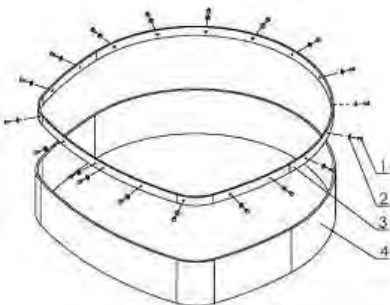
TRI-VARO 650 XE

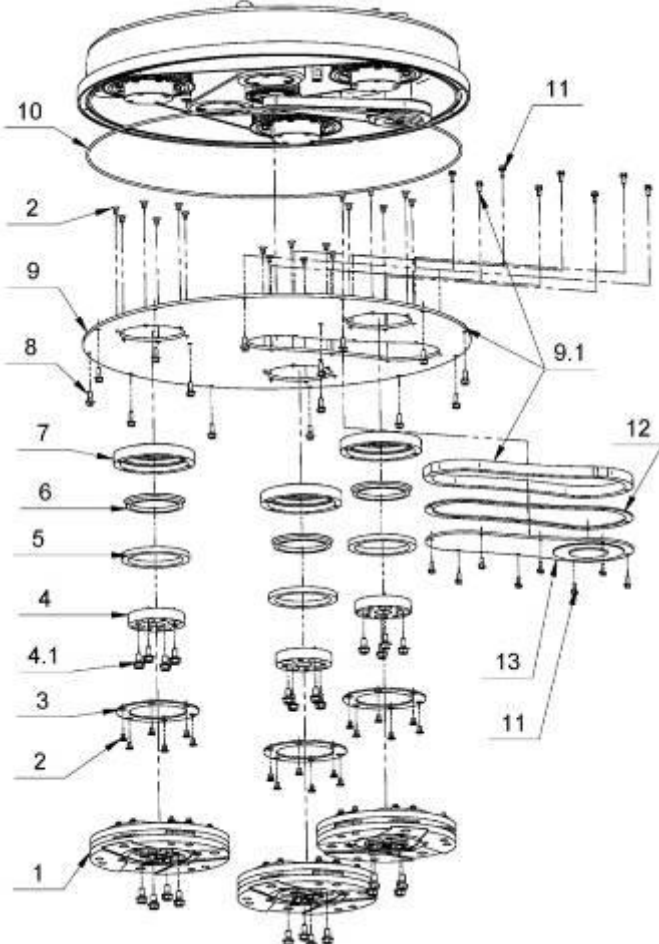
Maschinen, Geräte, Fachwerkzeuge für
Raumausstatter, Fußbodenleger und
den Fußbodenbelagshandel

Artikelnr.: 112 991 800

Seite 2 von 7 / 1-2015

	3. TOP COVER PARTS 2			
	No.	Item No.	Description	Pcs.
	1	L25X-19.00.01	Top Cover	1
	2	L26GS-19.10.00	Vacuum Port	1
	3	L25X-19.20.00	Water Fitting	1
	4	M12DIN985	Nut	1
	5	M5DIN125A	Washer	4
	6	M5DIN127B	Spring Washer	4
	7	M5DIN934	Nut	4
	8	L25SPS-04.01.00.00	Vacuum Port	1
9	M5X16DIN84A	Screw	3	

	4. GUARD PARTS			
	No.	Item No.	Description	Pcs.
	1	D4X10DIN7337 LF12	Rivet	19
	2	M4DIN9021A	Washer	19
	3	L25SPS-05.00.00.01	Ring	1
4	L25SPS-05.00.00.02	Guard	1	

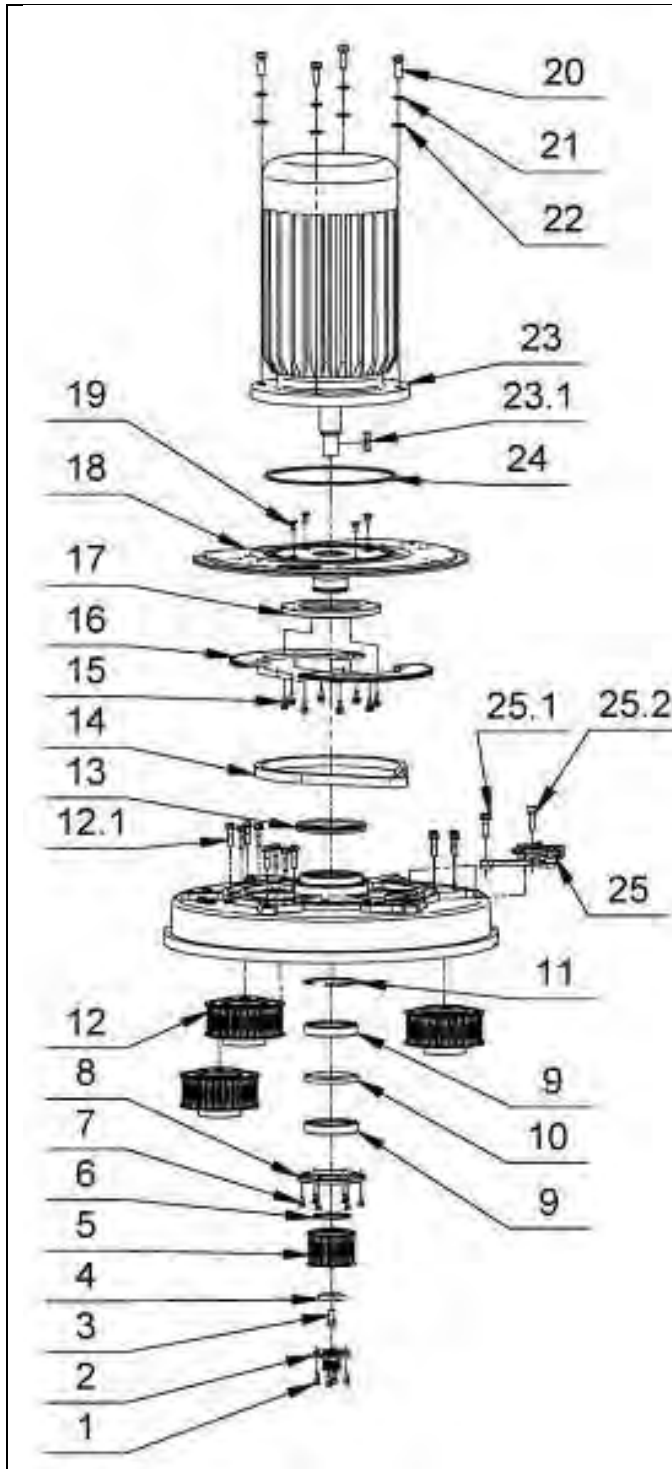
	5. BOTTOM COVER PARTS			
	No.	Item No.	Description	Pcs.
	1	A41.00.00	Tool Holder A41	3
	2	M6X10DIN7991	Screw	36
	3	L25LS-14.00.03	Outer Cover	3
	4	A42.03.00	Adaptor	3
	4.1	M8x16DIN6921	Bolt	4
	5	110X90X8.5	Felt Ring	3
	6	TWVA00800	V-Ring Type A	3
	7	L25LS-14.00.02	Flange	3
	8	M6X16DIN6921	Bolt	15
	9	L25X-14.00.00	Bottom Cover Assembly	1
	9.1	L25X-14.00.01-K	Bottom Cover with manhole	1
	10	D4X2X1880	Seal	1
11	M5X12DIN6921	Bolt	16	
12	L25X-14.00.04	Seal Inspection Cover	1	
13	L25X-14.10.00	Inspection Cover	1	

TRI-VARO 650 XE

Maschinen, Geräte, Fachwerkzeuge für
Raumausstatter, Fußbodenleger und
den Fußbodenbelagshandel

Artikelnr.: 112 991 800

Seite 3 von 7 / 1-2015



6. PLANETARY DRIVE PARTS

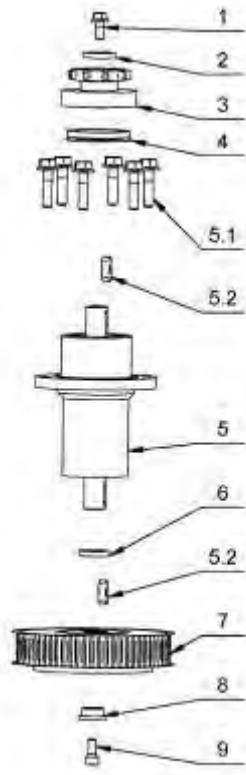
No.	Item No.	Description	Pcs.
1	M6X16DIN912	Screw	4
2	L25X-03.00.00	Pulley	1
3	M10X25DIN7991	Screw	1
4	L25X-10.00.55	Front Washer	1
5	L25GX-10.10.00	CentralPulley	1
6	B65DIN471	Retaining Ring	1
7	M6X156DIN7991	Screw	6
8	L25X-10.00.17	Cap	1
9	6013	Roller Assembly	2
10	L25SPS-00.00.00.34	Distance Ring	1
11	A10013943	Retaining Ring	1
12	L25X-11.00.00	Pulley Unit Assembly	3
12.1	M8X35DIN6921	Bolt	4
13	TWVA01200	V-Ring Type A	1
14	08B-1-78	Chain	1
15	M6X16DIN6921	Bolt	8
16	L25X-15.00.12	Chain Pulley	2
17	L25X-15.00.03	Flange	1
18	L25X-15.20.00	Base plate	1
19	M8X16DIN7991	Screw	4
20	M12X35DIN933	Bolt	4
21	M12DIN127B	Spring Washer	4
22	M12DIN125A	Washer	4
23	S254	Electro Motor	1
23.1	DIN6885A8X7X36	Key	1
24	D4X2X850	Seal	1
25	L25X17.00.00	Chain Tensioner	1
25.1	M10X35DIN6921	Bolt	1
25.2	M10X35DIN912	Screw	1

TRI-VARO 650 XE

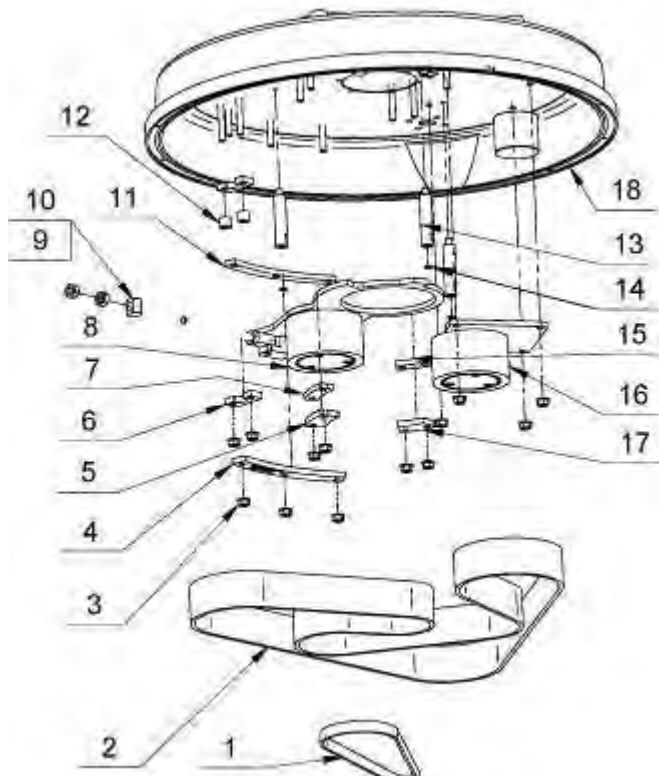
Maschinen, Geräte, Fachwerkzeuge für
Raumausstatter, Fußbodenleger und
den Fußbodenbelagshandel

Artikelnr.: 112 991 800

Seite 4 von 7 / 1-2015



6.1 PULLEY UNIT ASSEMBLY			
No.	Item No.	Description Pcs.	Pcs.
1	M5X12DIN6921	Bolt	1
2	L25X-10.00.46	Front Washer	1
3	L25X-16.20.00	Chain Pulley Assembly	1
4	TWVA00320	V-Ring Type A	1
5	L25X-16.00.00	Bearing Body	1
5.1	M6X25DIN6921	Bolt	6
5.2	DIN6885A5X5X16	Key	2
6	L25X-16.00.03	Distance Ring	1
7	TB 64_5M-15-1210-14	Pulley Unit Assembly	1
8	L25X-10.00.44	Front Washer	1
9	M5X12DIN912	Screw	1



7. BOTTOM COVER PARTS 2			
No.	Item No.	Description	Pcs.
1	HP645 5MHP15	Timing Belts	1
2	HL2400 8MHL50	Timing Belts	1
3	M8DIN6923	Nut	13
4	L25L-10.00.14	Sector	1
5	L25L-10.00.12	Sector	1
6	L25L-10.00.07	Support	2
7	L25L-10.00.11	Sector	1
8	L25X-12.00.00	Tensioning Support	1
9	L32C-14.20.04	Nut	1
10	M10DIN934	Nut	2
11	L25L-10.00.13	Sector	1
12	L25L-10.00.08	Washer	2
13	L25X-10.00.13	Distance Bolt	3
14	D6X2	O-Ring	3
15	L25X-10.00.34	Sector	1
16	L25X-13.00.00	Deflection Pulley	1
17	L25X-10.00.35	Sector	1
18	L25X-10.00.01	Disc	1

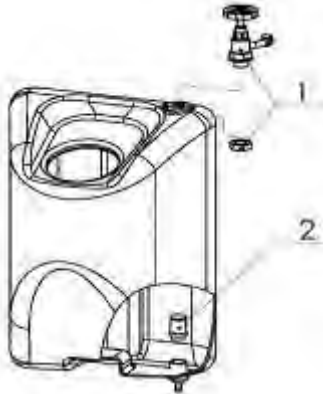
TRI-VARO 650 XE

Maschinen, Geräte, Fachwerkzeuge für
Raumausstatter, Fußbodenleger und
den Fußbodenbelagshandel

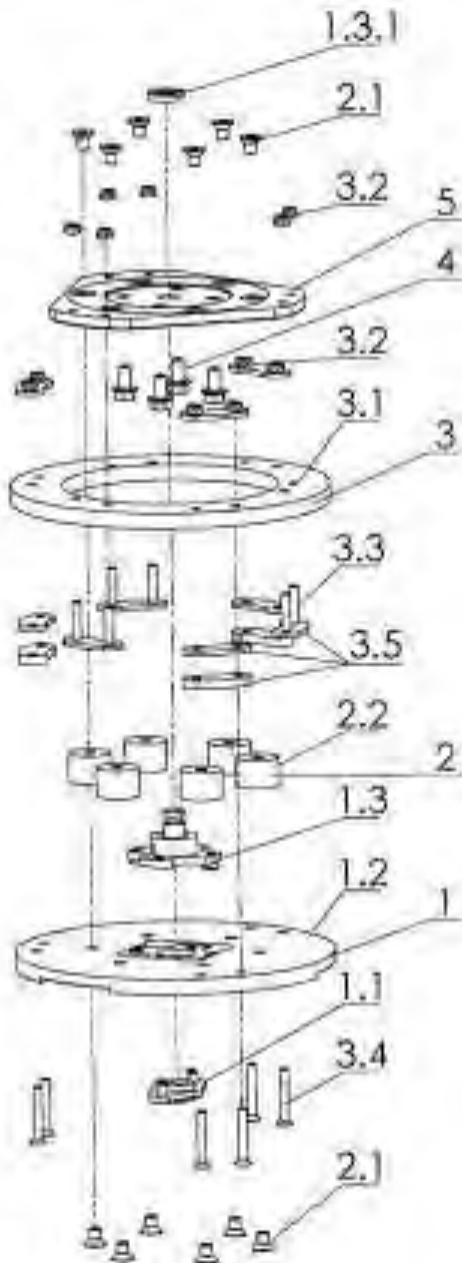
Artikelnr.: 112 991 800

Seite 5 von 7 / 1-2015

8. WATER TANK PARTS			
No.	Item No.	Description Pcs.	Pcs.
1	A29.50.00	Regulator	1
2	1/2"	Filter	1



9.TOOL HOLDER PARTS			
No.	Item No.	Description Pcs.	Pcs.
1	A41.10.00	Quick Change Assembly	1
1.1	A31.12.00	Keylock Set	1
1.2	A41.11.00	Quick Change plate	1
1.3	A41.12.00	Security set	1
1.3.1	A41.00.05	Washer A41	1
2	A25.00.10-K	Buffer with two screw	6
2.1	M8X12DIN7991	Screw	12
2.2	A25.00.10	Buffer	6
3	A41.20.03-K	Driving Set A41	1
3.1	A41.20.03	Elastic Element	1
3.2	M6DIN985	Self Locking Nut	12
3.3	M6X40DIN7991	Screw	6
3.4	M6X30DIN7991	Screw	6
3.5	A41.21.00	Set of plates	1
4	M8x16DIN6921	Bolt	4
5	A41.20.01	Flange	1

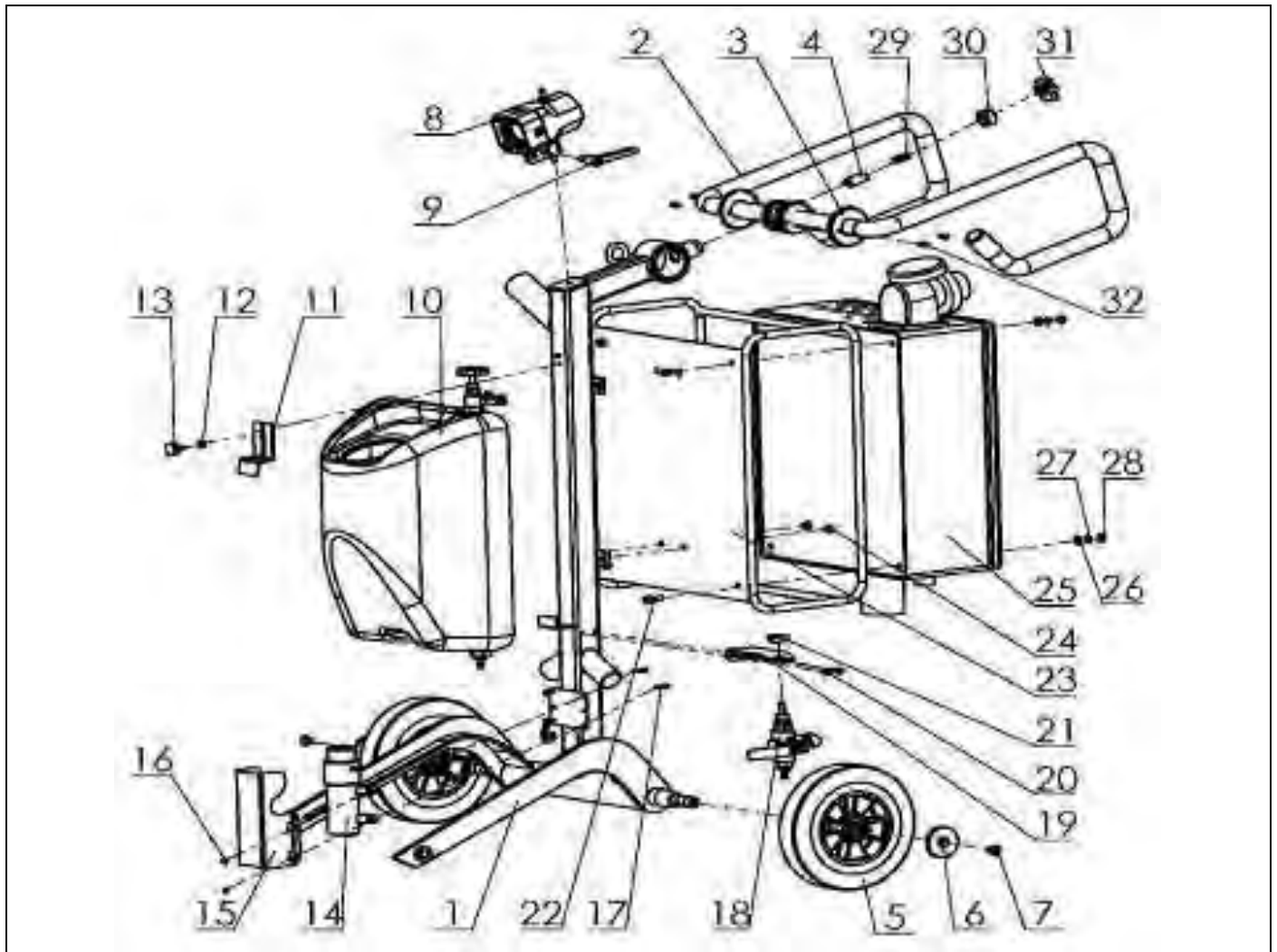


TRI-VARO 650 XE

Maschinen, Geräte, Fachwerkzeuge für
Raumausstatter, Fußbodenleger und
den Fußbodenbelagshandel

Artikelnr.: 112 991 800

Seite 6 von 7 / 1-2015



10. CARRIAGE PARTS

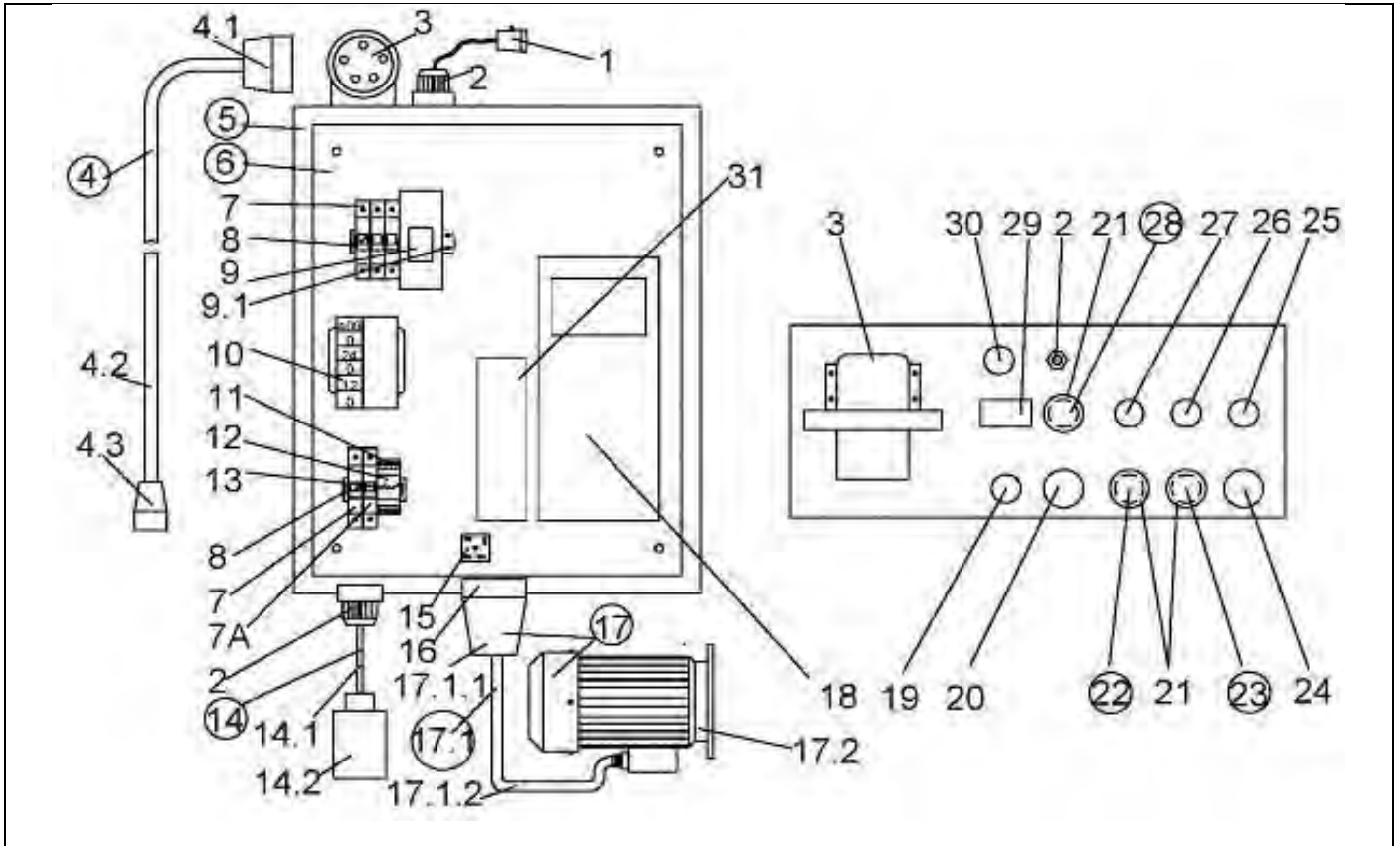
No.	Item No.	Description	Pcs.	No.	Item No.	Description	Pcs.
1	L25X-21.00.00	Frame	1	17	M5X20DIN933	Bolt	4
2	L25S-23.10.00	Handle Assembly	1	18	A29.40.00	Water Flow Control Unit	1
3	L25S-23.00.02	End Cover	2	19	A29.20.01-01	Flow Unit Base	1
4	L25S-23.00.06	Locking bit	1	20	M5X12DIN6921	Bolt	2
5	L25G-20.00.04	Wheel	2	21	M20X1.5DIN439B	Nut	1
6	L32D-20.00.03	Wheel Cap	2	22	M8X25DIN912	Screw	4
7	M10X16DIN7991	Screw	2	23	L25S-22.00.00	Guard	1
8	L20NS-30.30.00	Lamp Unit Incl. Cable	1	24	M8X12DIN7991	Screw	4
9	A58165	Swivel Bolt	1	25	L25XE-30.00.00	Control Box L25-X	1
10	A33.10.00	Tank Assembly	1	26	M8DIN125A	Washer	4
11	L25P-02.00.00.01	Top Bracket	1	27	M8DIN127B	Spring Washer	4
12	M5UN732	Washer	1	28	M8DIN934	Nut	4
13	T34391	Knob Bolt	1	29	L25S-23.00.07	Spring L25-S	1
14	See table 12 pos. 14	Water Pump	1	30	L25S-23.00.09	Nut	1
15	L25S-20.00.26	Guard	1	31	L27160	Knob Bolt	1
16	M5DIN985	Nut	4	32	M6X12DIN912	Screw	4

TRI-VARO 650 XE

Maschinen, Geräte, Fachwerkzeuge für
Raumausstatter, Fußbodenleger und
den Fußbodenbelagshandel

Artikelnr.: 112 991 800

Seite 7 von 7 / 1-2015



11. CONTROL BOX PARTS 380 VOLT

No.	Item No.	Description	Pcs.	No.	Item No.	Description	Pcs.
1	L20NS-30.30.00	Lamp Unit Incl. Cable	1	16	L20NHVS-30.10.03	Socket	1
2	L20NS-30.10.01	Cable Gland	2	17	L20HVS-30.20.00	Electro Motor Assembly	1
3	L20NSE-30.10.02	Plug on Control Board	1	17.1	L20NHVS-30.20.10	Plug with Cable	1
4	L25XE-30.02.00	Cable with Connector and Plug	1	17.1.1	L20NHVS -30.02.03	Connector	1
4.1	L20NSE -30.02.01	Connector	1	17.1.2	L20NHVS-30.20.12	Cable for Electro Motor	1
4.2	L20NSE-30.02.02	Cable	1	17.2	S254	Electro Motor	1
4.3	L25XE-30.10.01	Connector-Plug	1	18	L25HVS-30.11.09	Inverter Yaskawa (V1000)	1
5	L25XE-30.10.00	Metal Box	1	19	L20NS-30.10.04	Potentiometer	1
6	L25XE-30.11.00	Metal Box Plate	1	20	L32S-30.10.25	Switch On/Off led green Button	1
7	L20NS-30.11.01	Circuit Breaker	4	21	L20NS-30.10.06	Cap	3
7A	L32RSHV-30.00.11	Circuit Breaker	1	22	L20NS-30.10.07	STOP Button	1
8	L20NS-30.11.02	Rail	2	23	L20NS-30.10.08	RUN Button	1
9	L20NXE-30.11.03	Circuit Closer	1	24	L20NS-30.10.10	Emergency Stop Button	1
9.1	WK4U	Terminal	1	25	L20NS-30.10.11	Switch Button F/R	1
10	L20NSE-30.11.07	Transformer	1	26	L20NS-30.10.12	Green LED Power	1
11	L20NS-30.11.04	Rail Base	1	27	L20NS-30.10.13	Water Pump Button	1
12	L20NS-30.11.05	Rail	1	28	L13S-30.10.12	Button alarm/reset blue	1
13	L20NS-30.11.06	Rail Bracket	1	29	L20NS-30.10.15	Revolution counter	1
14	L20NS-30.40.00	Water Pump with Cable	1	30	L25S-30.10.15	Switch Button P/G	1
15	L20NS-30.11.08	Rectifier	1	31	L20NSE-30.11.01	Filter	1