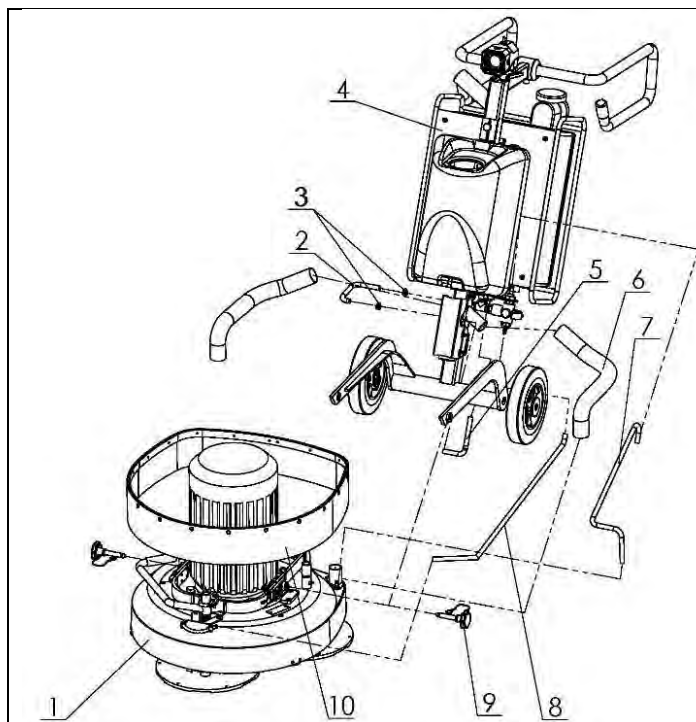


TRI-VARO 650 SE

Maschinen, Geräte, Fachwerkzeuge für
Raumausstatter, Fußbodenleger und
den Fußbodenbelagshandel

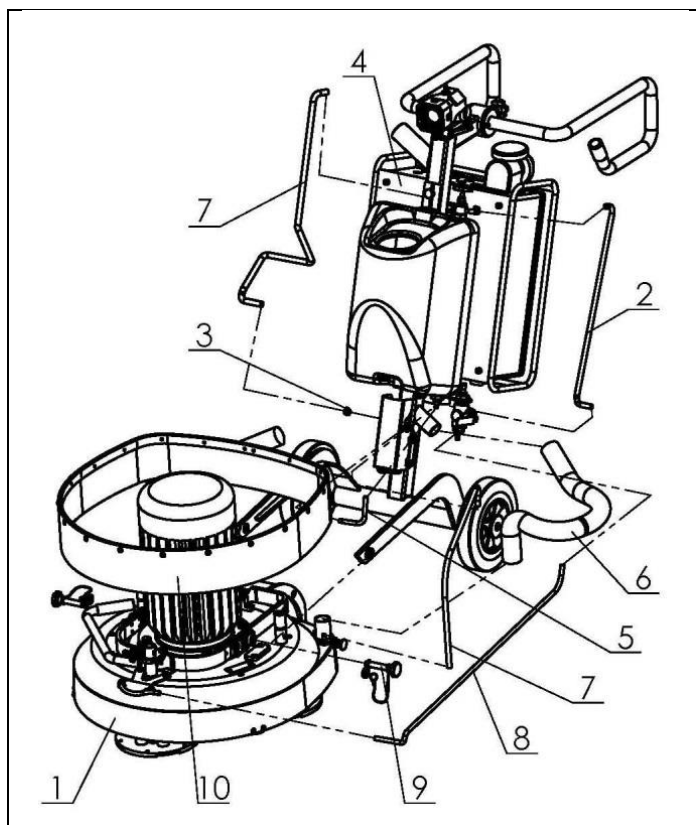
Artikelnr.: 112 991 500

Seite 1 von 9 / 2014-07



1. GENERAL PARTS *for machines produced before Jan.1 2014*

No.	Item No.	Description	Pcs.
1	L25S-10.00.00	Main Head	1
2	MAR8.25	Tube	1
3	10-16DIN3017	Clamp	2
4	L25SE-20.00.00	Carriage	1
5	MAR8.20	Tube	1
6	D40L670	Vacuum Hose	2
7	MAR8.84	Tube	1
8	MAR8.110	Tube	1
9	L25GS-03.00.00	Pin Assembly	2
10	L25SPS-05.00.00.00	Guard Assembly	1



1. GENERAL PARTS *for machines produced after Jan.1 2014*

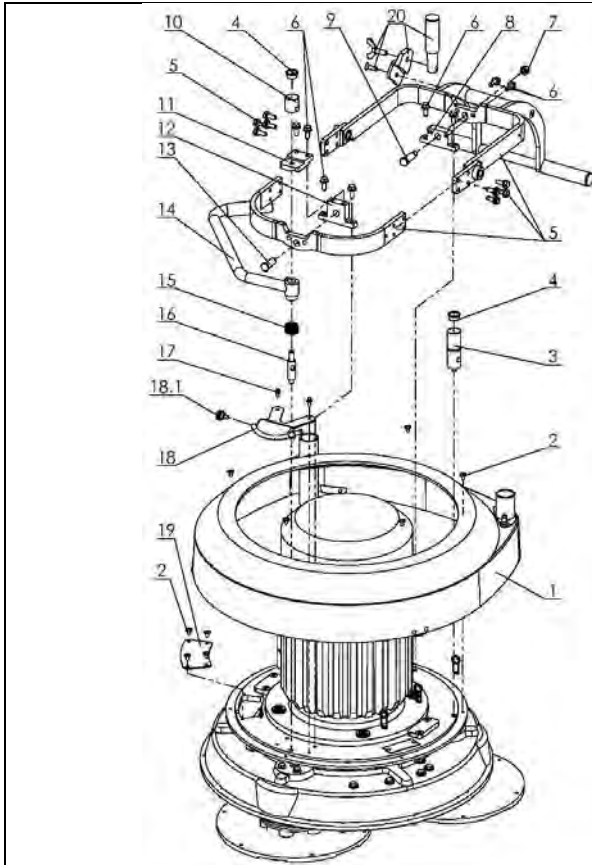
No.	Item No.	Description	Pcs.
1	L25S-10.00.00-01	Main Head	1
2	MAR8.71	Tube	1
3	10-16DIN3017	Clamp	2
4	L25SE-20.00.00-01	Carriage	1
5	MAR8.25	Tube	1
6	D40L670	Vacuum Hose	2
7	MAR8.85	Tube	2
8	MAR8.110	Tube	1
9	L25GS-03.00.00	Pin Assembly	2
10	L25SPS-05.00.00.00	Guard Assembly	1

TRI-VARO 650 SE

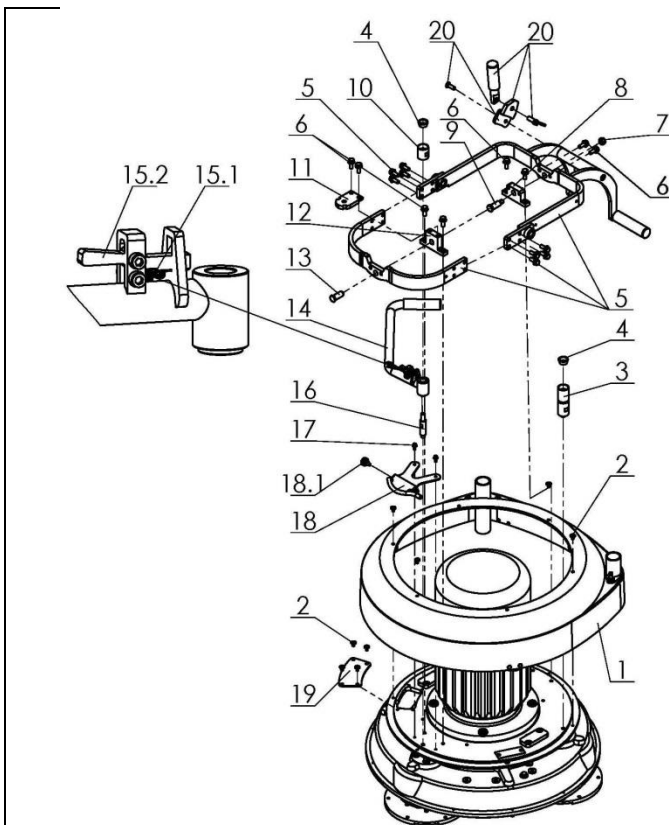
Maschinen, Geräte, Fachwerkzeuge für
Raumausstatter, Fußbodenleger und
den Fußbodenbelagshandel

Artikelnr.: 112 991 500

Seite 2 von 9 / 2014-07



2. COVER PARTS 1 <i>for machines produced before Jan.1 2014</i>			
No.	Item No.	Description	Pcs.
1	L25GS-19.00.00	Top Cover Assembly	1
2	M6X10ISO7380F	Screw	10
3	L25NSPS-07.00.00.05	Back Weight Holder	2
4	L25SPS-07.00.00.29	Rubber Buffer	3
5	L25GS-18.00.00	Frame Assembly	1
6	M8X20DIN6921	Bolt	8
7	M10DIN982	Nut	1
8	L25GS-15.00.03	Support Back	1
9	L25GS-10.00.31	Pin Back	1
10	L25NP-07.00.00.10	Cup	1
11	L25GS-15.00.04	Support Top	1
12	L25GS-15.00.02	Support Front	1
13	L25GS-10.00.30	Pin Front	1
14	L25GS-15.02.00	Bar	1
15	L25SPS-07.00.00.25	Spring	1
16	L25SPS-07.00.00.26	Stud	1
17	M5X12DIN6921	Bolt	2
18	A29.10.00	Spray Unit	1
18.1	H766-21	Knob Bolt	1
19	L25S-15.00.23	Inspection Cover	1
20	L25GS-18.30.00	Clamp head	1



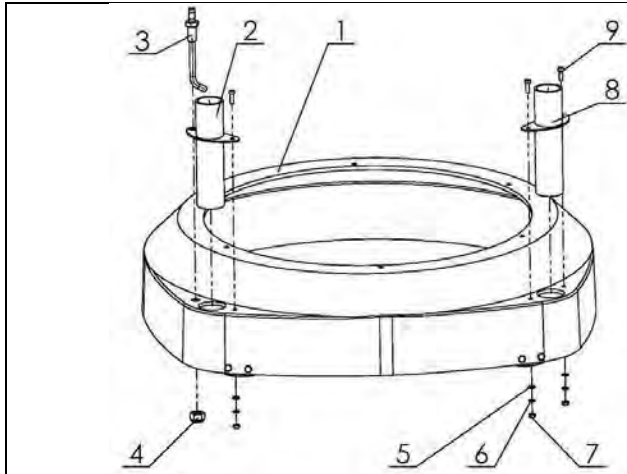
2. COVER PARTS 1 <i>for machines produced after Jan.1 2014</i>			
No.	Item No.	Description	Pcs.
1	L25GS-19.00.00	Top Cover Assembly	1
2	M6X10ISO7380F	Screw	10
3	L25NSPS-07.00.00.05	Back Weight Holder	2
4	L25SPS-07.00.00.29	Rubber Buffer	3
5	L25GS-18.00.00	Frame Assembly	1
6	M8X20DIN6921	Bolt	8
7	M10DIN982	Nut	1
8	L25GS-15.00.03	Support Back	1
9	L25GS-10.00.31	Pin Back	1
10	L25NP-07.00.00.10	Cup	1
11	L25S-15.00.04	Support Top L25-S	1
12	L25GS-15.00.02	Support Front	1
13	L25GS-10.00.30	Pin Front	1
14	L25S-15.10.00	Bar Assembly L25-S	1
15.1	L25S-15.10.03	Spring L25-S	1
15.2	L25S-15.10.02	Lever	1
16	L25SPS-07.00.00.26	Stud	1
17	M5X12DIN6921	Bolt	2
18	A29.10.00	Spray Unit	1
18.1	H766-21	Knob Bolt	1
19	L25S-15.00.23	Inspection Cover	1
20	L25GS-18.30.00	Clamp head	1

TRI-VARO 650 SE

Maschinen, Geräte, Fachwerkzeuge für
Raumausstatter, Fußbodenleger und
den Fußbodenbelagshandel

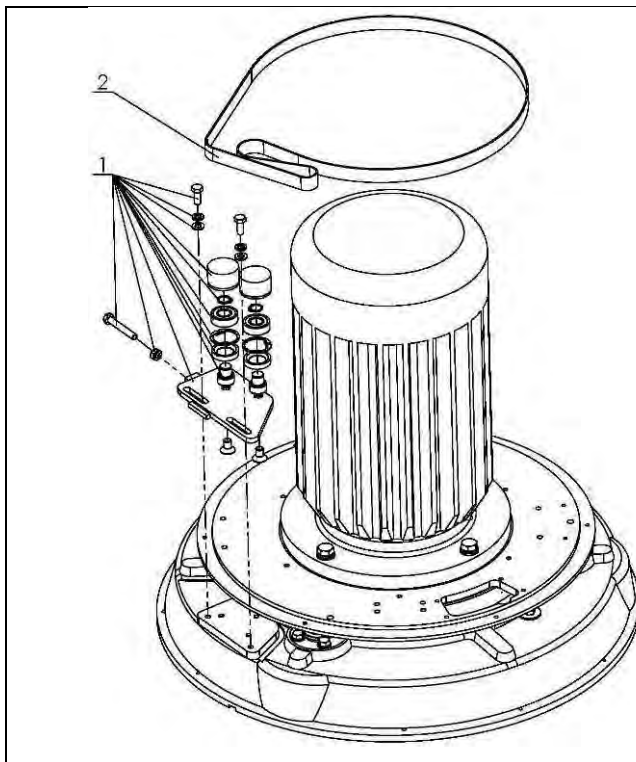
Artikelnr.: 112 991 500

Seite 3 von 9 / 2014-07



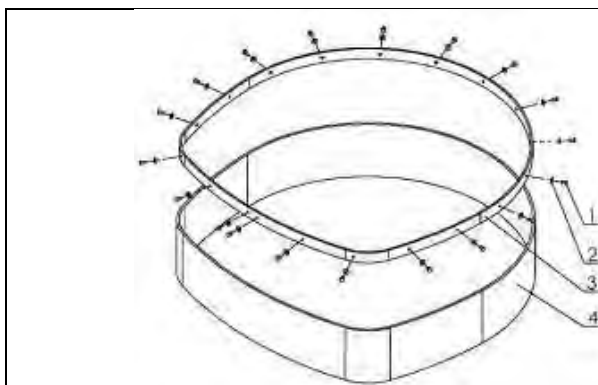
3. TOP COVER PARTS 2

No.	Item No.	Description	Pcs.
1	L25GS-19.00.01	Top Cover	1
2	L25GS-19.10.00	Vacuum Port	1
3	L25GS-19.20.00	Water Fitting	1
4	M12DIN985	Nut	1
5	M5DIN125A	Washer	3
6	M5DIN127B	Spring Washer	3
7	M5DIN934	Nut	3
8	L25SPS-04.01.00.00	Vacuum Port	1
9	M5X16DIN84A	Screw	3



4. Planetary Drive Parts

No.	Item No.	Description	Pcs.
1	L25S-17.00.00	Planetary Tensioning Unit	1
2	TC-20EF1500X20X2	Endless Transmission Flat Belt	1



5. GUARD PARTS

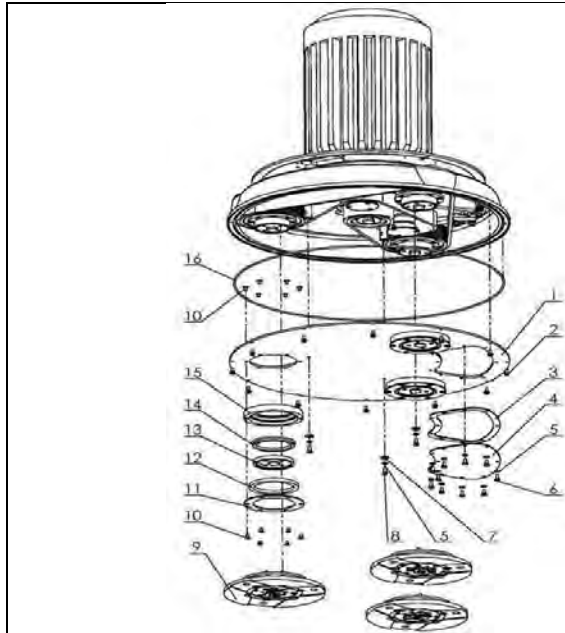
No.	Item No.	Description	Pcs.
1	D4X10DIN7337 LF12	Rivet	19
2	M4DIN9021A	Washer	19
3	L25SPS-05.00.00.01	Ring	1
4	L25SPS-05.00.00.02	Guard	1

TRI-VARO 650 SE

Maschinen, Geräte, Fachwerkzeuge für
Raumausstatter, Fußbodenleger und
den Fußbodenbelagshandel

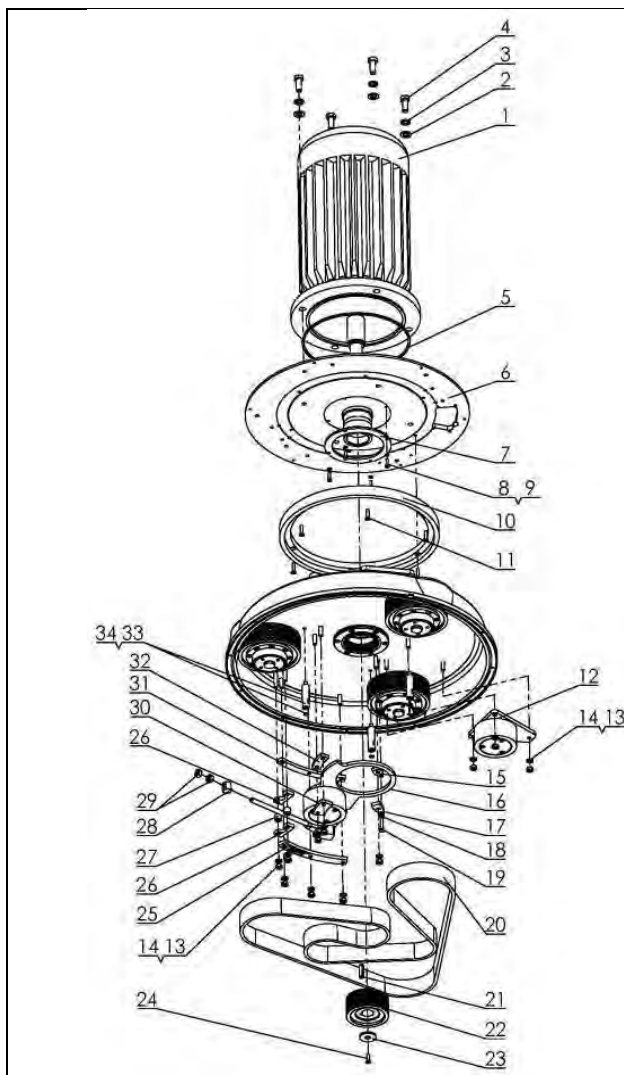
Artikelnr.: 112 991 500

Seite 4 von 9 / 2014-07



6. BOTTOM COVER PARTS 1

No.	Item No.	Description	Pcs.
1	L25LS-14.00.00	Bottom Cover Assembly	1
2	M5X12DIN6921	Bolt	12
3	L25LS-14.00.05	Sealer Inspection Cover	1
4	L25L-10.00.09	Inspection Cover	1
5	M6DIN127B	Spring Washer	13
6	M6X12DIN933	Bolt	10
7	M6DIN9021A	Washer	3
8	M6X16DIN933	Bolt	3
9	A31.00.00	Tool Holder A31	3
10	M6X10DIN7991	Screw	36
11	L25LS-14.00.03	Outer Cover	3
12	110X90X8.5	Felt Ring	3
13	A37.00.01	Adaptor	3
14	TWVA00800	V-Ring Type A	3
15	L25LS-14.00.02	Flange	3
16	D4X2X2000	Seal	1



7. BOTTOM COVER PARTS 2

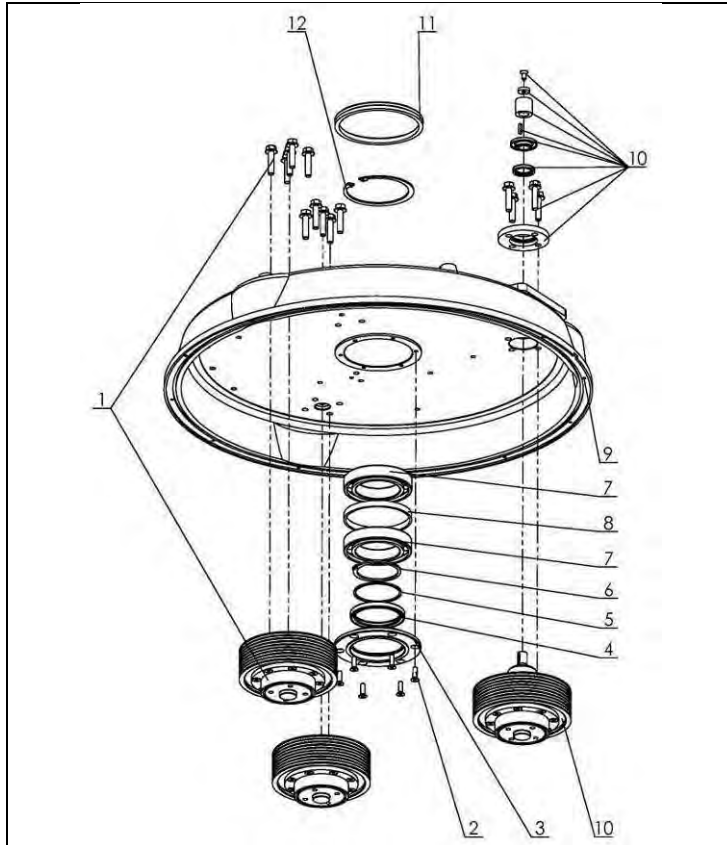
No.	Item No.	Description	Pcs.
1	S252	Electro Motor	1
2	M12DIN125A	Washer	4
3	M12DIN127B	Spring Washer	4
4	M12X30DIN933	Bolt	4
5	D4X2X850	Seal	1
6	L25S-15.01.00	Base Plate	1
7	L25P-01.03.00.09	Flange	1
8	M5DIN7980	Spring Washer	4
9	M5X16DIN912	Screw	4
10	L25S-15.00.22	Planetary Pulley	1
11	M6X25DIN7991	Screw	6
12	L25L-13.00.00	Deflection Pulley	1
13	M8DIN127B	Spring Washer	11
14	M8DIN934	Nut	11
15	L25L-10.00.15	Sector	1
16	L25L-12.00.00	Tensioning Support	1
17	L25L-10.00.16	Sector	1
18	M6DIN127B	Spring Washer	1
19	M6X30DIN933	Bolt	1
20	PL2476-975L-9	Endless Transmission V Belt	1
21	DIN6885A8X7X36	Key	1
22	L25S-10.00.22	Central Pulley	1
23	L25SPS-00.00.00.15	Front Washer	1
24	M6X20DIN7991	Screw	1
25	L25L-10.00.14	Sector	1
26	L25L-10.00.07	Support	2
27	L25L-10.00.08	Washer	2
28	L32C-14.20.04	Nut	1
29	M10DIN934	Nut	2
30	L25L-10.00.12	Sector	1
31	L25L-10.00.13	Sector	1
32	L25L-10.00.11	Sector	1
33	L25L-10.00.19	Distance Bolt	3
34	D6X2	O-Ring	3

TRI-VARO 650 SE

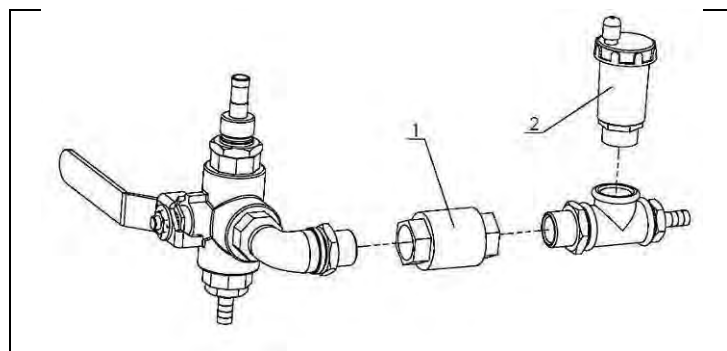
Maschinen, Geräte, Fachwerkzeuge für
Raumausstatter, Fußbodenleger und
den Fußbodenbelagshandel

Artikelnr.: 112 991 500

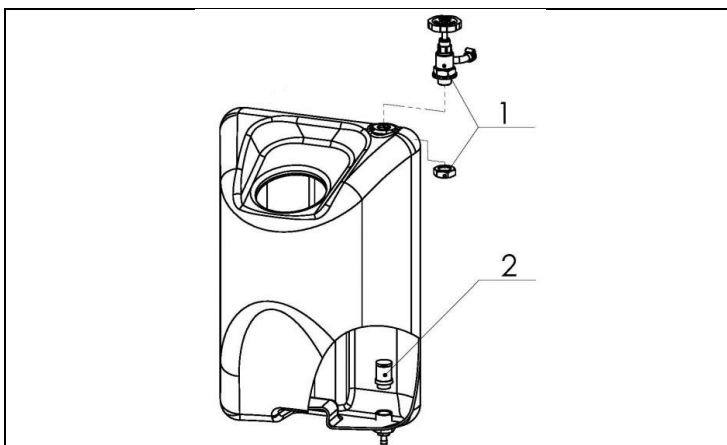
Seite 5 von 9 / 2014-07



8. PULLEY UNIT PARTS			
No.	Item No.	Description Pcs.	Pcs.
1	L25LS-11.00.00	Pulley Unit Assembly	2
2	M6X20DIN7991	Screw	6
3	L25L-10.00.21	Cap	1
4	TRA000650	Rotary Seal	1
5	L25SPS-00.00.00.23	Compensating Ring	1
6	B65DIN471	Retaining Ring	1
7	6013	Roller Assembly	2
8	L25SPS-00.00.00.34	Distance Ring	1
9	L25LS-10.00.06	Disc	1
10	L25LS-16.00.00	Driving Pulley Unit	1
11	TWVA01200	V-Ring Type A	1
12	A10013943	Retaining Ring	1



9. WATER SUPPLY PARTS			
No.	Item No.	Description Pcs.	Pcs.
1	A29.21.00	Backflow Preventer	1
2	A29.22.00	Vent Valve	1



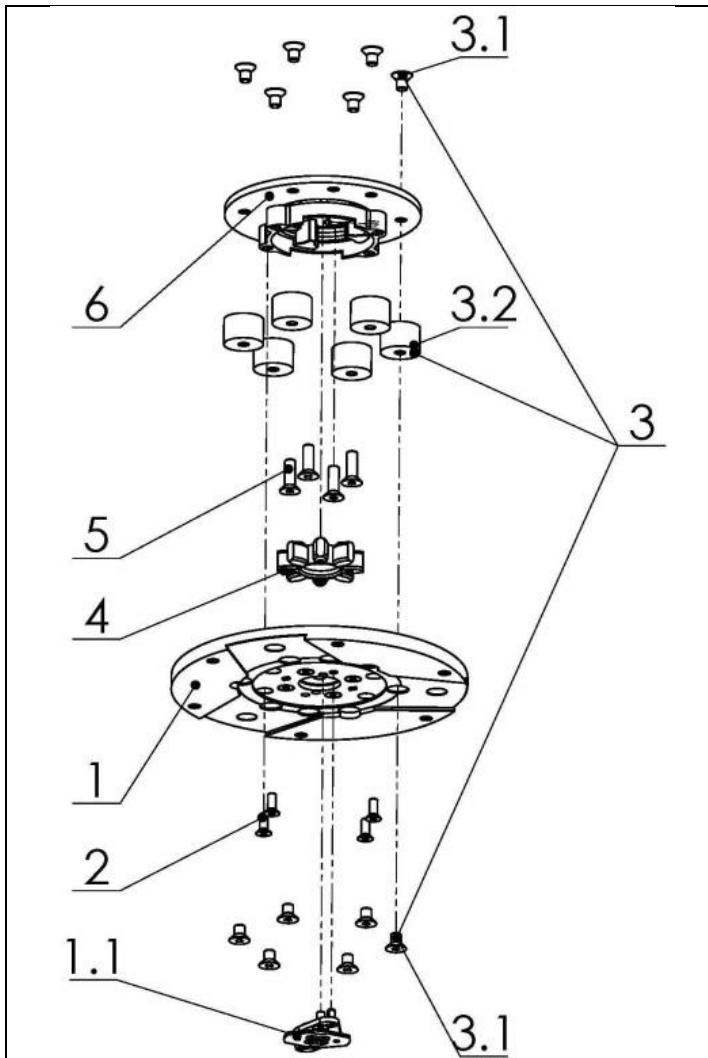
10. WATER TANK PARTS			
No.	Item No.	Description	Pcs.
1	A29.50.00	Regulator	1
2	1/2"	Filter	1

TRI-VARO 650 SE

Maschinen, Geräte, Fachwerkzeuge für
Raumausstatter, Fußbodenleger und
den Fußbodenbelagshandel

Artikelnr.: 112 991 500

Seite 6 von 9 / 2014-07

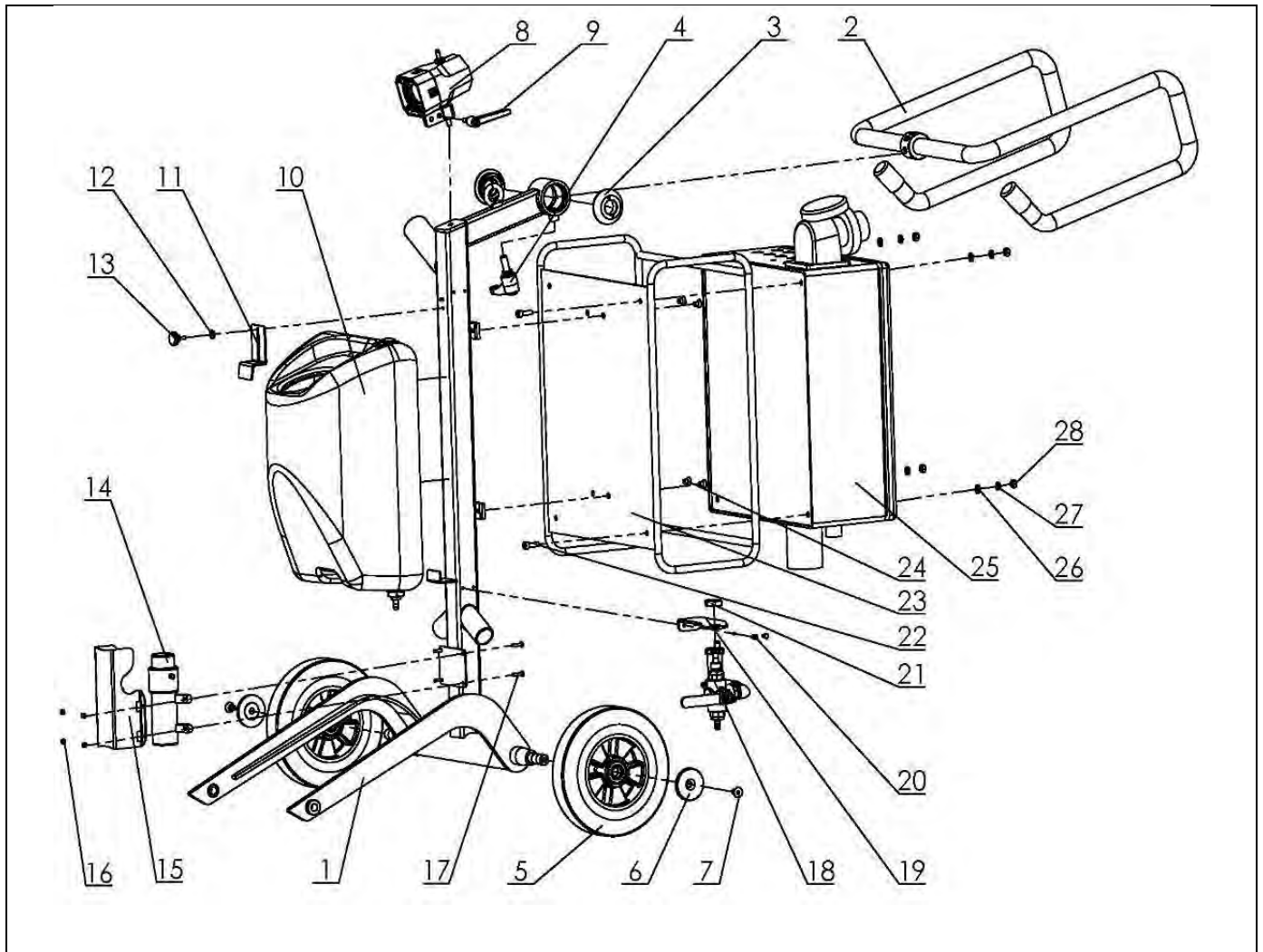


11.TOOL HOLDER PARTS			
No.	Item No.	Description	Pcs.
1	A31.10.00	Quick Change Assembly	1
1.1	A31.12.00	Keylock Set	1
2	M6X16DIN7991	Screw	4
3	A25.00.10-K	Buffer with two screw	6
3.1	M8X12DIN7991	Screw	12
3.2	A25.00.10	Buffer	6
4	A25.00.05-02	Spider	1
5	M8X25DIN7991-10.9	Screw	4
6	A31.20.00	Flange	1

TRI-VARO 650 SE

Artikelnr.: 112 991 500

Seite 7 von 9 / 2014-07



12.CARRIAGE PARTS *for machines produced before Jan.1 2014*

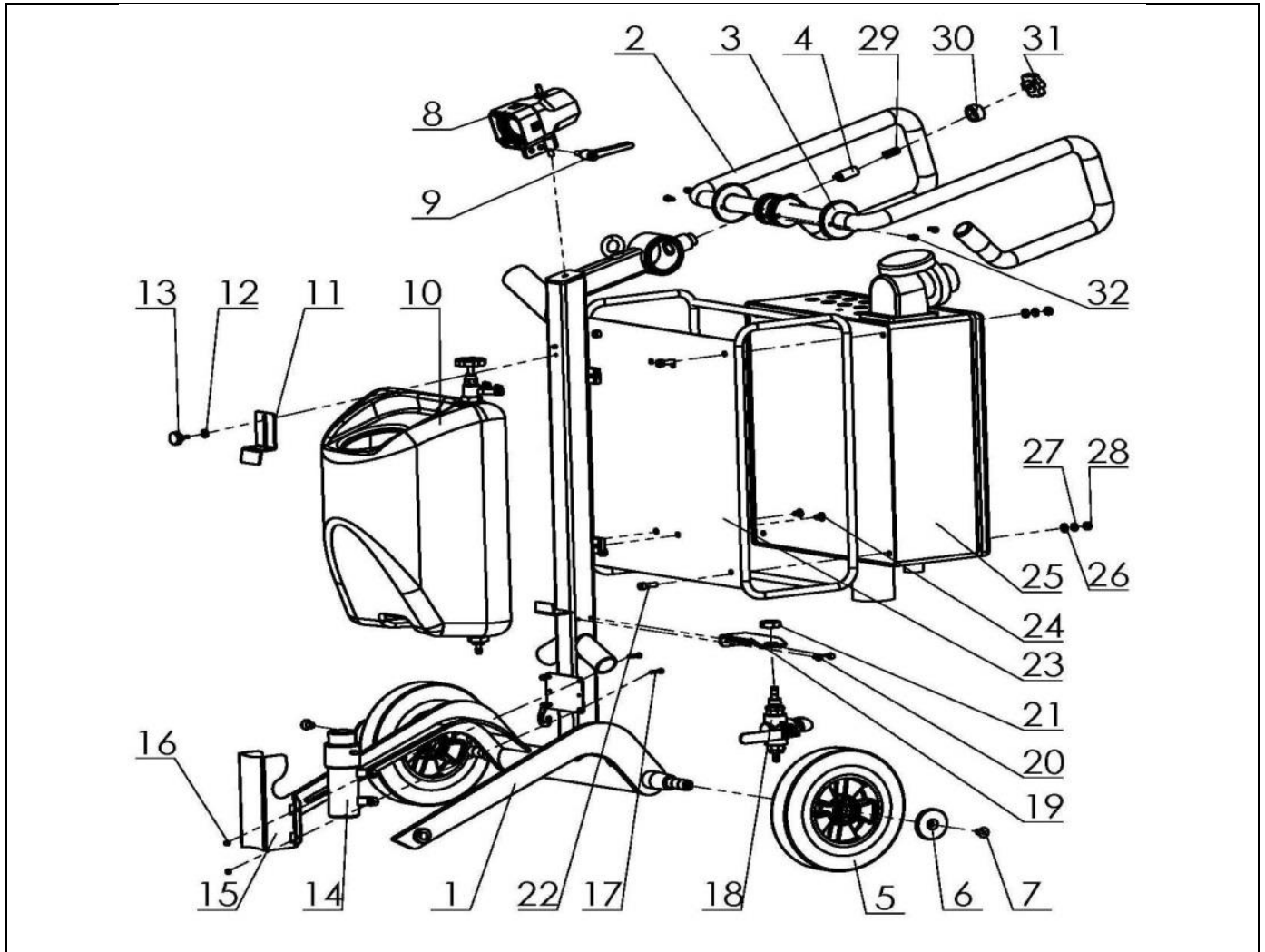
No.	Item No.	Description	Pcs.	No.	Item No.	Description	Pcs.
1	L25S-21.00.00	Frame	1	15	L25S-20.00.26	Guard	1
2	L25G-23.00.00	Handle Assembly	1	16	M5DIN985	Nut	4
3	L25SPS-02.00.00.18-01	Nut	2	17	M5X20DIN933	Bolt	4
4	A58194	Swivel Bolt	1	18	A29.20.00	Water Flow Control Unit	1
5	L25G-20.00.04	Wheel	2	19	A29.20.01-01	Flow Unit Base	1
6	L32D-20.00.03	Wheel Cap	2	20	M5X12DIN6921	Bolt	2
7	M10X16DIN7991	Screw	2	21	M20X1.5DIN439B	Nut	1
8	L20NS-30.30.00	Lamp Unit Incl. Cable	1	22	M8X25DIN912	Screw	4
9	A58165	Swivel Bolt	1	23	L25S-22.00.00	Guard	1
10	A33.00.00	Tank	1	24	M8X12DIN7991	Screw	4
11	L25P-02.00.00.01	Top Bracket	1	25	L25SE-30.00.00	Control Box L25-S-E	1
12	M5UN732	Washer	1	26	M8DIN125A	Washer	4
13	T34391	Knob Bolt	1	27	M8DIN127B	Spring Washer	4
14	1040	Water Pump	1	28	M8DIN934	Nut	4

TRI-VARO 650 SE

Maschinen, Geräte, Fachwerkzeuge für
Raumausstatter, Fußbodenleger und
den Fußbodenbelagshandel

Artikelnr.: 112 991 500

Seite 8 von 9 / 2014-07



12. CARRIAGE PARTS *for machines produced after Jan.1 2014*

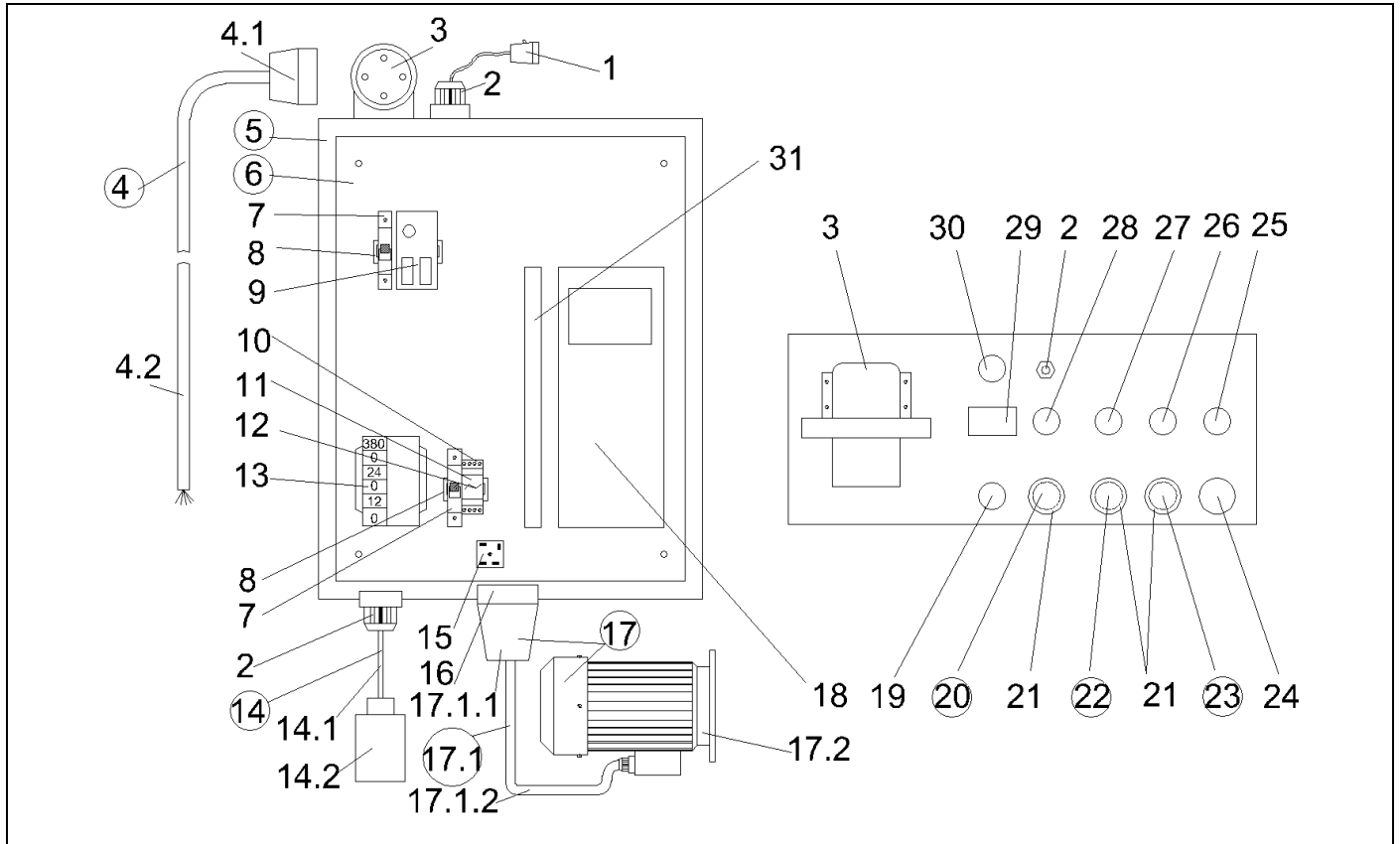
No.	Item No.	Description	Pcs.	No.	Item No.	Description	Pcs.
1	L25S-21.00.00-01	Frame	1	17	M5X20DIN933	Bolt	4
2	L25S-23.10.00	Handle Assembly	1	18	A29.40.00	Water Flow Control Unit	1
3	L25S-23.00.02	End Cover	2	19	A29.20.01-01	Flow Unit Base	1
4	L25S-23.00.06	Locking bit	1	20	M5X12DIN6921	Bolt	2
5	L25G-20.00.04	Wheel	2	21	M20X1.5DIN439B	Nut	1
6	L32D-20.00.03	Wheel Cap	2	22	M8X25DIN912	Screw	4
7	M10X16DIN7991	Screw	2	23	L25S-22.00.00	Guard	1
8	L20NS-30.30.00	Lamp Unit Incl. Cable	1	24	M8X12DIN7991	Screw	4
9	A58165	Swivel Bolt	1	25	L25SE-30.00.00	Control Box L25-S-E	1
10	A33.10.00	Tank Assembly	1	26	M8DIN125A	Washer	4
11	L25P-02.00.00.01	Top Bracket	1	27	M8DIN127B	Spring Washer	4
12	M5UN732	Washer	1	28	M8DIN934	Nut	4
13	T34391	Knob Bolt	1	29	L25S-23.00.07	Spring L25-S	1
14	1040	Water Pump	1	30	L25S-23.00.09	Nut	1
15	L25S-20.00.26	Guard	1	31	F17840.TM08x40	Knob Bolt	1
16	M5DIN985	Nut	4	32	M6X12DIN912	Screw	4

TRI-VARO 650 SE

Maschinen, Geräte, Fachwerkzeuge für
Raumausstatter, Fußbodenleger und
den Fußbodenbelagshandel

Artikelnr.: 112 991 500

Seite 9 von 9 / 2014-07



11. CONTROL BOX PARTS 380 VOLT

No.	Item No.	Description	Pcs.	No.	Item No.	Description	Pcs.
1	L20NS-30.30.00	Lamp Unit Incl. Cable	1	17	L25HVS-30.20.00	Electro Motor Assembly	1
2	L20NS-30.10.01	Cable Gland	2	17.1	L20NHVS-30.20.10	Plug with Cable	1
3	L20NSE-30.10.02	Plug on Control Board	1	17.1.1	L20NHVS -30.20.11	Plug	1
4	L20NSE-30.02.00	Cable with Connector	1	17.1.2	L20NHVS-30.20.12	Cable for Electro Motor	1
4.1	L20NSE-30.02.01	Connector	1	17.2	S252	Electro Motor	1
4.2	L20NSE-30.02.02	Cable	1	18	L25HVS-30.11.09	Inverter Yaskawa (V1000)	1
5	L25HVS-30.10.00	Metal Box	1	19	L20NS-30.10.04	Potentiometer	1
6	L25HVS-30.11.00	Metal Box Plate	1	20	L20NS-30.10.05	Reset Button	1
7	L20NS-30.11.01	Circuit Breaker	2	21	L20NS-30.10.06	Cap	3
8	L20NS-30.11.02	Rail	2	22	L20NS-30.10.07	Off Button	1
9	L20NHVS-30.11.03	Circuit Breaker	1	23	L20NS-30.10.08	On Button	1
10	L20NS-30.11.04	Rail Base	1	24	L20NS-30.10.10	Emergency Stop Button	1
11	L20NS-30.11.05	Rail	1	25	L20NS-30.10.11	Switch Button F/R	1
12	L20NS-30.11.06	Rail Bracket	1	26	L20NS-30.10.12	Green LED Power	1
13	L20NSE-30.11.07	Transformer	1	27	L20NS-30.10.13	Water Pump Button	1
14	L20NS-30.40.00	Water Pump with Cable	1	28	L20NS-30.10.14	Blue Led Alarm	1
14.1	L20NS-30.40.01	Cable for Water Pump	1	29	L20NS-30.10.15	Revolution counter	1
14.2	1040	Water Pump		30	L25S-30.10.15	Switch Button P/G	1
15	L20NS-30.11.08	Rectifier	1	31	L20NSE-30.11.01	Filter	1
16	L20NHVS-30.10.03	Socket	1				