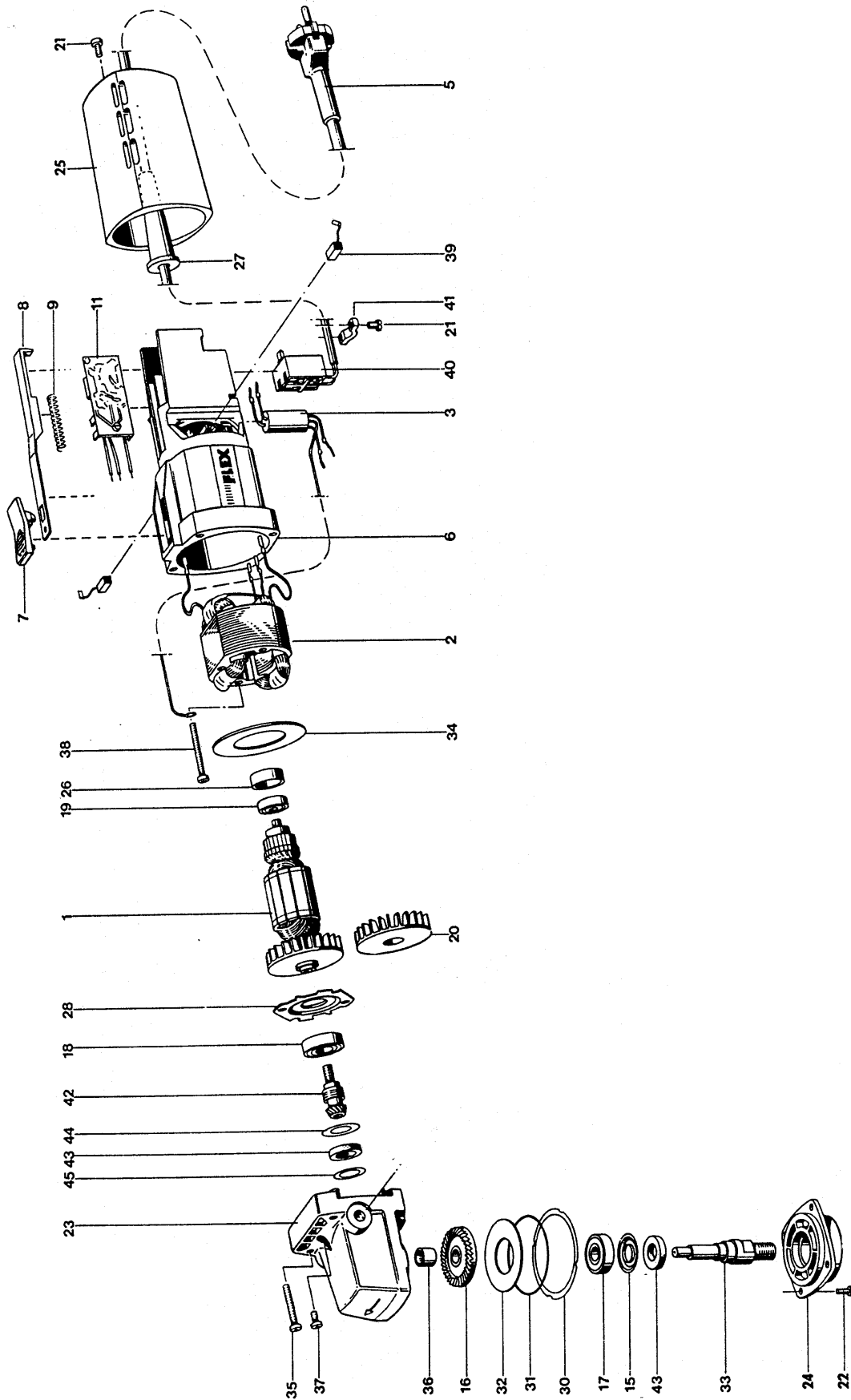


**2 Winkelschleifer SM1106T**

228 855 100 (230V)  
228 855 810 (120V)



**2 Winkelschleifer SM1 106T**228 855 100 (230V)  
228 855 810 (120V)

| Pos | Bestell-Nr.<br>Order-No. | Bezeichnung                   | Description                         | Stk. | VK/DM  | VK/DM  | VK/DM    | Referenz           |
|-----|--------------------------|-------------------------------|-------------------------------------|------|--------|--------|----------|--------------------|
|     |                          |                               |                                     |      | Inland | Export | Vertrieb |                    |
| 1   | 111 112 120              | Anker 230 Volt                | Armature                            | 1    |        |        |          |                    |
|     | 111 112 820              | Anker 120 Volt                | Armature                            | 1    |        |        |          |                    |
| 2   | 111 112 106              | Magnetfeld 230 Volt           | Magnetic field                      | 1    |        |        |          |                    |
|     | 111 112 806              | Magnetfeld 120 Volt           | Magnetic field                      | 1    |        |        |          |                    |
| 3   | 111 112 101              | Kondensator                   | Condenser                           | 1    |        |        |          |                    |
| 5   | 111 112 116              | Kabel 230 Volt                | Cable                               | 1    |        |        |          |                    |
|     | 111 112 816              | Kabel 120 Volt                | Cable                               | 1    |        |        |          |                    |
| 6   | 111 112 110              | Motorgehäuse mit Kohlenhalter | Motor case with carbon brush holder | 1    |        |        |          |                    |
| 7   | 228 855 107              | Schalthebel                   | Control lever                       | 1    |        |        |          |                    |
| 8   | 111 112 108              | Schaltstange                  | Control rod                         | 1    |        |        |          |                    |
| 9   | 111 112 109              | Druckfeder                    | Compression spring                  | 1    |        |        |          |                    |
| 11  | 111 112 111              | Elektronik                    | Electronic                          | 1    |        |        |          |                    |
| 15  | 111 112 134              | Dichtungsring                 | Sealing ring                        | 1    |        |        |          | 6001J              |
| 16  | 111 112 102              | Kegelrad                      | Crown wheel                         | 1    |        |        |          |                    |
| 17  | 050 204 008              | Rillenkugellager              | Ball bearing                        | 1    |        |        |          | 6001 2RS           |
| 18  | 050 204 007              | Rillenkugellager              | Ball bearing                        | 1    |        |        |          | 6000 2RS           |
| 19  | 050 204 004              | Rillenkugellager              | Ball bearing                        | 1    |        |        |          | 607 2RS            |
| 20  | 111 112 121              | Windflügel                    | Fan                                 | 1    |        |        |          |                    |
| 21  | 008 480 509              | Torx-Schraube                 | Torx head screw                     | 2    |        |        |          | KA 40x12           |
| 22  | 006 804 012              | Linsenschraube                | Lens head screw                     | 4    |        |        |          | M4x12 DIN7985      |
| 23  | 111 112 125              | Getriebegehäuse               | Gear case                           | 1    |        |        |          |                    |
| 24  | 111 112 130              | Getriebedeckel                | Gear cap                            | 1    |        |        |          |                    |
| 25  | 111 112 115              | Haube                         | Cover                               | 1    |        |        |          |                    |
| 26  | 111 112 123              | Lagerring                     | Bearing ring                        | 1    |        |        |          |                    |
| 27  | 111 112 114              | Kabelschutz 230 Volt          | Cable conduit                       | 1    |        |        |          |                    |
|     | 111 112 814              | Kabelschutz 120 Volt          | Cable conduit                       | 1    |        |        |          |                    |
| 28  | 111 112 126              | Lagerdeckel                   | Bearing cover                       | 1    |        |        |          |                    |
| 30  | 111 112 132              | Distanzring                   | Distance ring                       | 1    |        |        |          |                    |
| 31  | 025 900 001              | O-Ring                        | O-ring                              | 1    |        |        |          | 48 x 1,2           |
| 32  | 111 112 133              | Tellerfeder                   | Spring washer                       | 1    |        |        |          | 50 x 25,4 x 1,5    |
| 33  | 111 112 104              | Getriebewelle                 | Gear shaft                          | 1    |        |        |          |                    |
| 34  | 111 112 122              | Luftführung                   | Air guide                           | 1    |        |        |          |                    |
| 35  | 008 480 516              | Torx-Schraube                 | Torx head screw                     | 4    |        |        |          | KA 40x30           |
| 36  | 050 100 010              | Sinterlager                   | Sintered slide bearing              | 1    |        |        |          | 8x12x12            |
| 37  | 006 804 008              | Linsenschraube                | Lens head screw                     | 2    |        |        |          | M4x8 DIN7985       |
| 38  | 008 480 527              | Torx-Schraube                 | Torx head screw                     | 2    |        |        |          | KA 40x55           |
| 39  | 111 112 103              | Kohlen 230 Volt               | Carbon brush                        | 2    |        |        |          | K23 6,3 x 7 x 15   |
|     | 111 112 803              | Kohlen 120 Volt               | Carbon brush                        | 2    |        |        |          | K33 6,3 x 7 x 15,2 |
| 40  | 111 112 112              | Schalter                      | Switch                              | 1    |        |        |          |                    |
| 41  | 111 112 113              | Kabelschelle                  | Cable clamp                         | 1    |        |        |          |                    |
| 42  | 111 112 105              | Ritzel                        | Pinion                              | 1    |        |        |          |                    |
| 43  | 111 112 135              | Nilosring                     | Sealing ring                        | 1    |        |        |          | 24 x 14 x 4        |
| 44  | 111 112 127              | Scheibe                       | Washer                              | 1    |        |        |          | 25,9 x 15,5 x 0,5  |
| 45  | 111 112 128              | Scheibe                       | Washer                              | 1    |        |        |          | 23 x 14 x 0,5      |