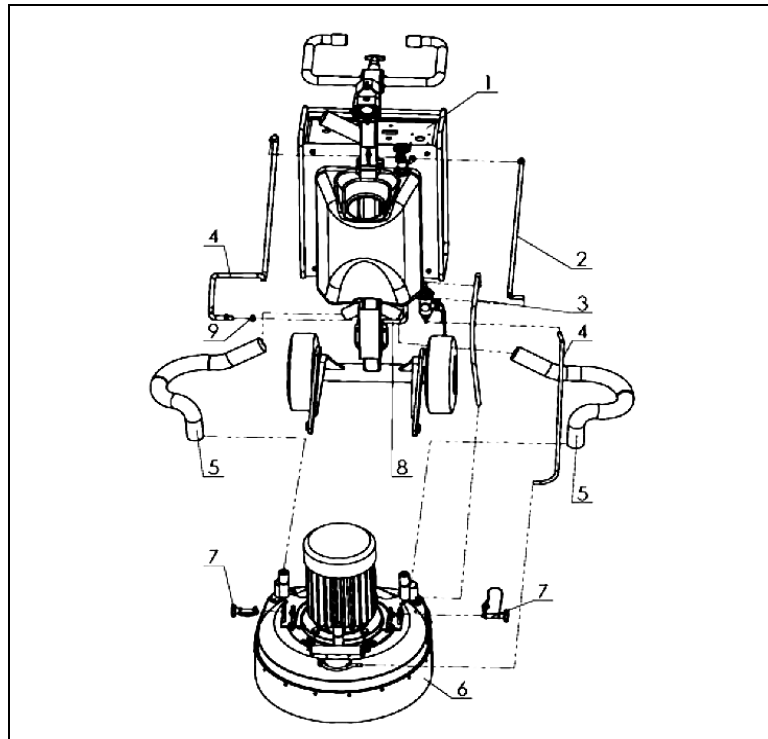


TRI-VARO 500 XE

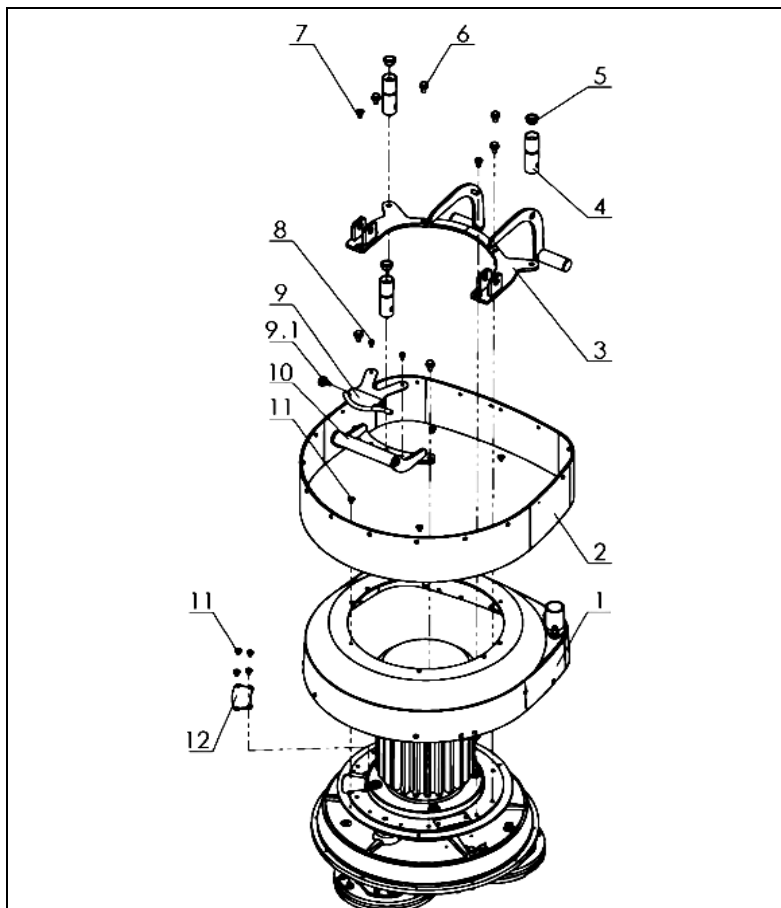
Maschinen, Geräte, Fachwerkzeuge für
Raumausstatter, Fußbodenleger und
den Fußbodenbelagshandel

Artikelnr.: 112 990 800

Seite 1 von 7 / 2015-03



1. General Parts			
No.	Item No.	Description	Pc
1	L20X-20.00.00	Carriage	1
2	MAR8.71	Tube	1
3	MAR8.78	Tube	1
4	MAR8.86	Tube	2
5	D40L820	Vacuum Hose	2
6	L20X-10.00.00	Main Head	1
7	L25SPS-07.03.00.00	Pin Assembly	2
8	MAR8.25	Tube	1
9	10-16DIN3017	Clamp	5



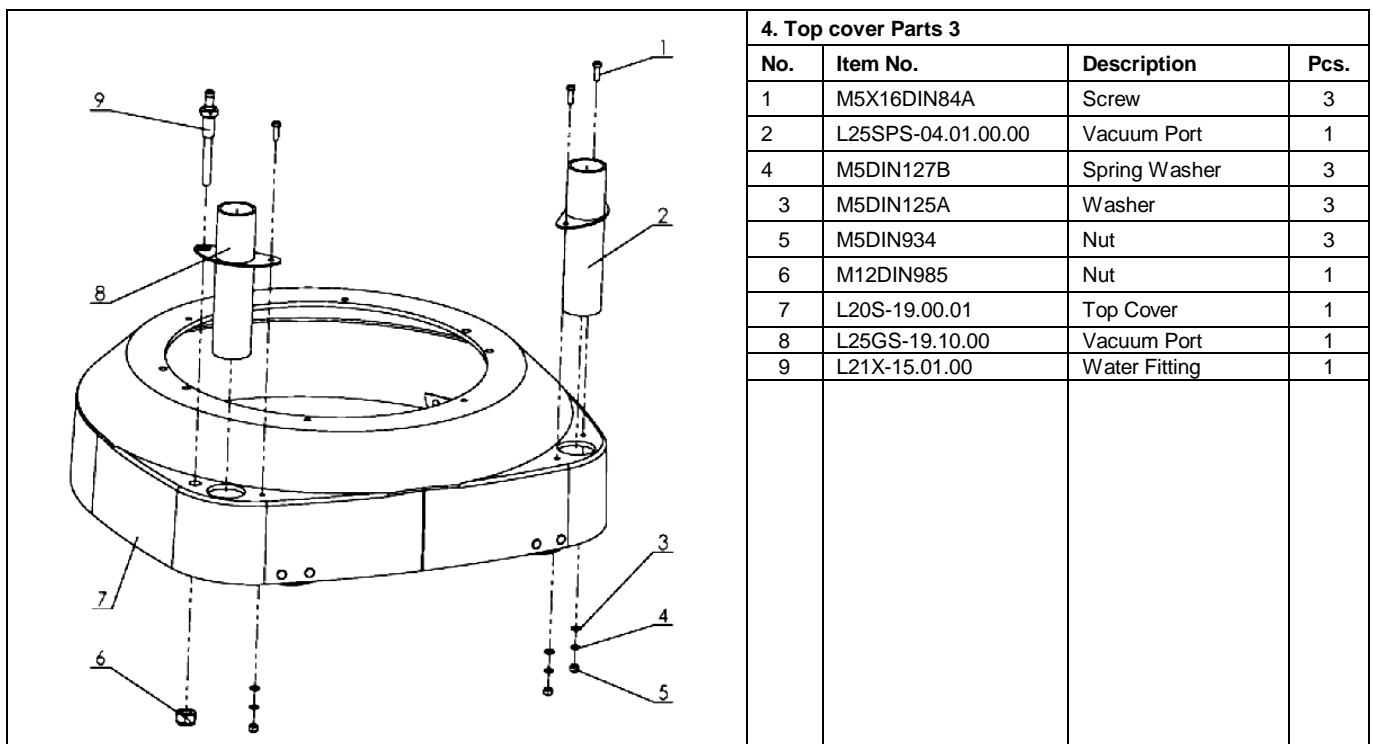
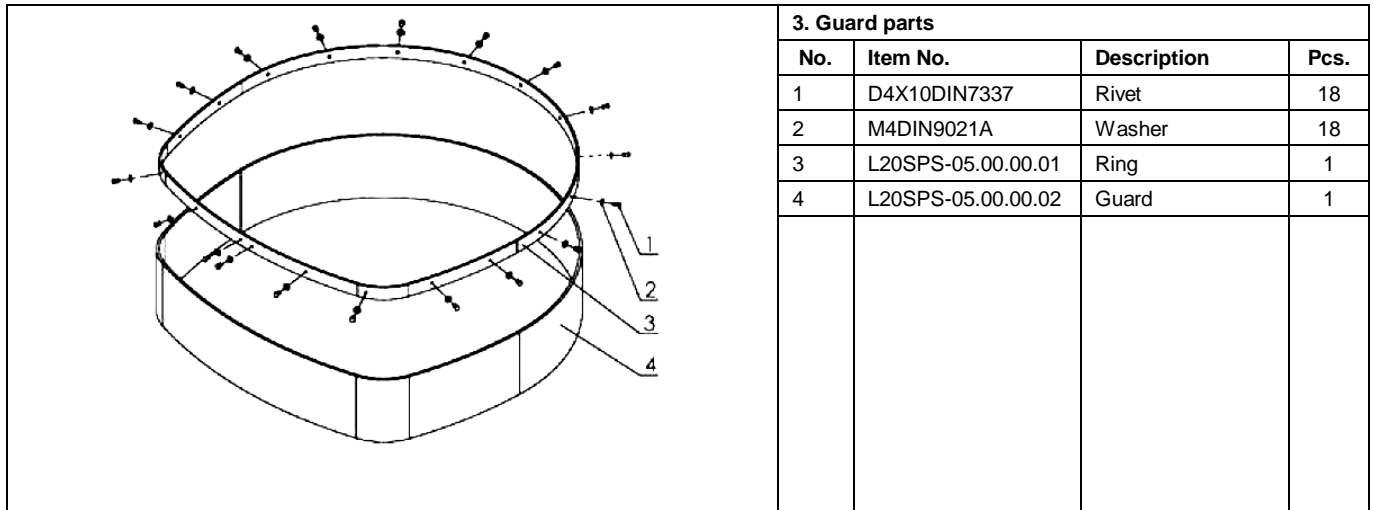
2. Top cover parts 1			
No.	Item No.	Description	Pcs.
1	L20X-19.00.00	Top Cover	1
2	L20SPS-05.00.00.00	Guard Assembly	1
3	L20X-18.00.00	Machine Support 1	1
4	L25SPS-07.00.00.05	Weight Holder	3
5	L25SPS-07.00.00.29	Rubber Buffer	3
6	M8X16DIN6921 Bolt 6	Bolt	6
7	M8X16DIN6921 Bolt 6	Screw	2
8	M5X12DIN6921	Bolt	2
9	A29.10.00-01	Spray Unit	1
9.1	H766-21	Knob Bolt	1
10	L20X-10.10.00	Handle	1
11	M6X10ISO7380F	Screw	8
12	L20S-15.00.20	Inspection Cover	1

TRI-VARO 500 XE

Artikelnr.: 112 990 800

Maschinen, Geräte, Fachwerkzeuge für
Raumausstatter, Fußbodenleger und
den Fußbodenbelagshandel

Seite 2 von 7 / 2015-03



TRI-VARO 500 XE

Maschinen, Geräte, Fachwerkzeuge für
Raumausstatter, Fußbodenleger und
den Fußbodenbelagshandel

Artikelnr.: 112 990 800

Seite 3 von 7 / 2015-03

5. Bottom cover Parts 1			
No.	Item No.	Description	Pcs.
1	L20NS-14.00.00	Bottom Cover	1
2	M5X12DIN6921	Bolt	20
3	D12X2	O-Ring	3
4	M6DIN9021A	Washer	3
5	M6X16DIN6921	Bolt	3
6	L20NS-14.00.05	Sealer Inspection	1
7	L20NS-14.00.04	Inspection Cover	1
8	A41.00.00	Tool Holder A41	3
9	M6X10DIN7991	Screw	36
10	L25LS-14.00.03	Outer Cover	3
11	110X90X8.5	Felt Ring	3
12	A42.03.00	Adaptor	3
13	TWVA00800	V-Ring Type A	3
14	L25LS-14.00.02	Flange	3
15	D4X2X1450	Seal	1

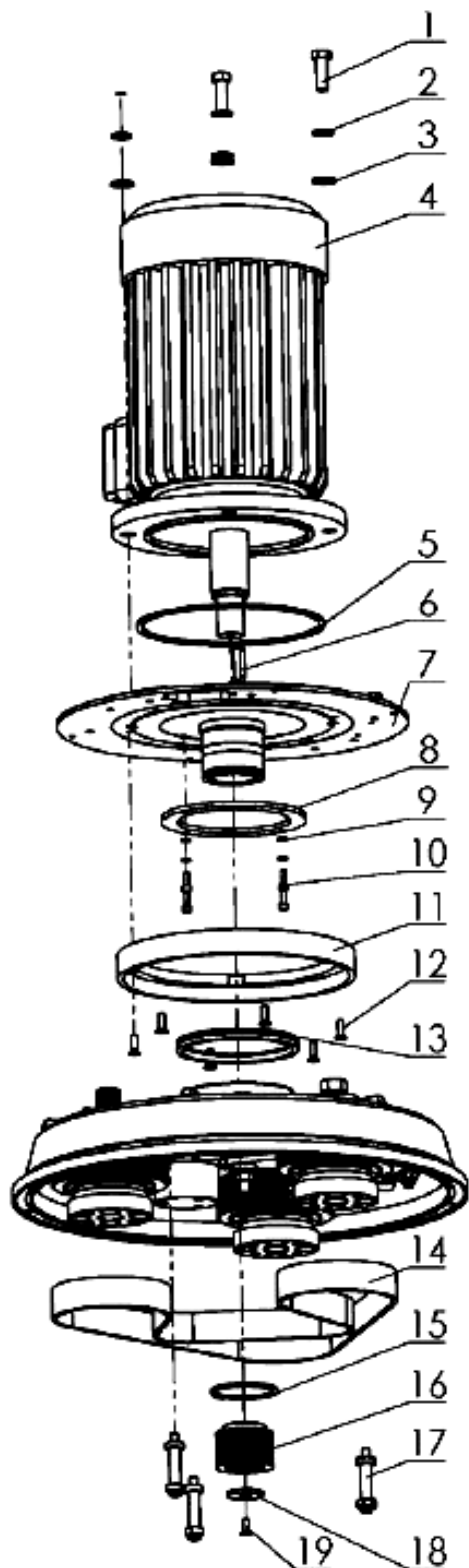
6. Planetary drive Parts			
No.	Item No.	Description	Pcs.
1	1125-AT5-16	Endless Transmission Belt	1
2	L20X-17.00.00	Planetary Tensioning Unit	1

TRI-VARO 500 XE

Maschinen, Geräte, Fachwerkzeuge für
Raumausstatter, Fußbodenleger und
den Fußbodenbelagshandel

Artikelnr.: 112 990 800

Seite 4 von 7 / 2015-03



7. Bottom Cover Parts 2

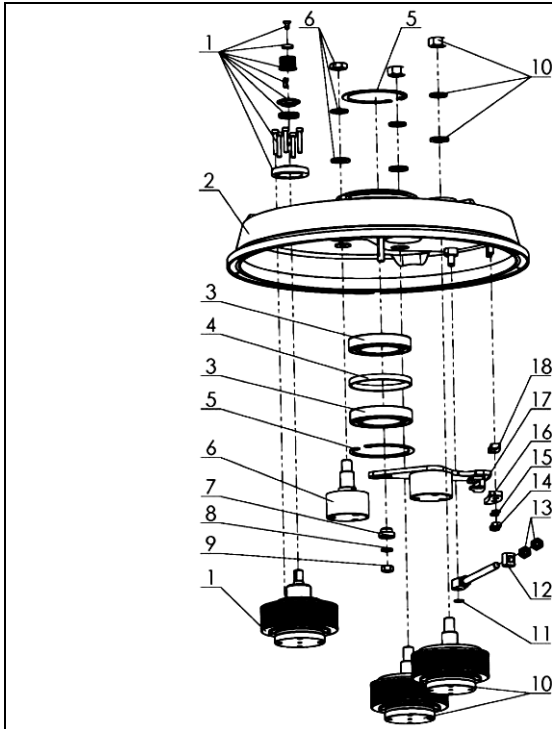
No.	Item No.	Description	Pcs.
1	M12X35DIN933	Bolt	4
2	M12DIN127B	Spring Washer	4
3	M12DIN125A	Washer	4
4	S204	Electro Motor	1
5	D4X2X650	Seal	1
6	DIN6885A8X7X36	Key	1
7	L20X-15.01.00	Base Plate	1
8	L25P-01.03.00.09	Flange	1
9	M5DIN7980	Spring Washer	4
10	M5X16DIN912	Screw	4
11	L20S-15.00.21	Planetary Pulley	1
12	M6X20DIN7991	Screw	1
13	TWVA01200	V-Ring Type A	1
14	1725PK9	Endless Transmission V Belt	1
15	B65DIN471	Retaining Ring	1
16	L20NS-00.00.08	Central Pulley	1
17	L20NS-10.00.20	Distance Screw	3
18	L20NS-10.00.20	Front Washer	1
19	L20NS-10.00.20	Screw	1

TRI-VARO 500 XE

Artikelnr.: 112 990 800

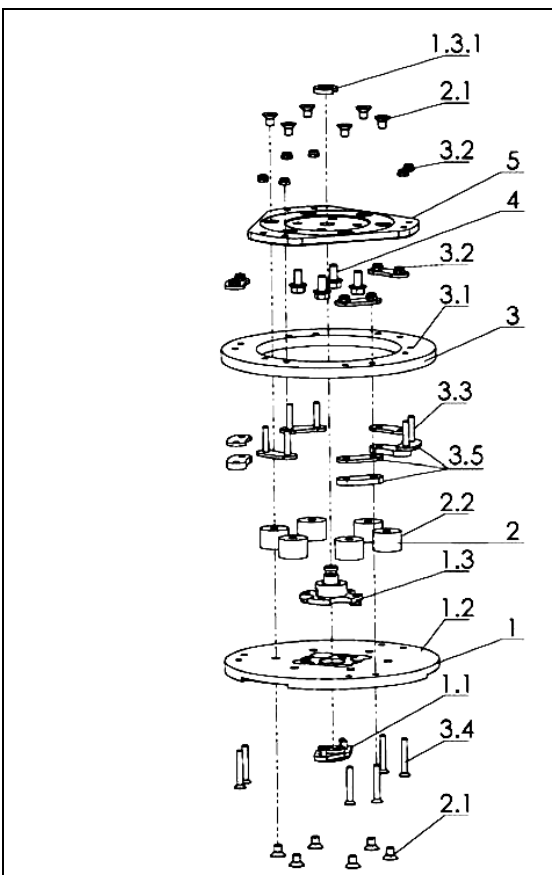
Maschinen, Geräte, Fachwerkzeuge für
Raumausstatter, Fußbodenleger und
den Fußbodenbelagshandel

Seite 5 von 7 / 2015-03



8. PULLEY UNIT PARTS

No.	Item No.	Description	Pcs.
1	L20X-16.00.00	Driving Pulley Unit	1
2	L20NS-10.00.10	Disc	1
3	6013	Roller Assembly	2
4	L25SPS-00.00.00.34	Distance Ring	1
5	A10013943	A10013943	2
6	L20P-01.05.00.00	Roller Unit Assembly	1
7	L20NS-10.00.14	Axle Bushing	1
8	M10DIN127B	M10DIN127B	1
9	M10DIN934	Nut	1
10	L20X-11.00.00	Pulley Unit Assembly	2
11	B10DIN471	Retaining Ring	1
12	L32C-14.20.04	Nut	1
13	M10DIN934	Nut	2
14	M8DIN934	Nut	2
15	M8DIN127B	Spring Washer	2
16	L20NS-10.00.11	Sector	1
17	L20NS-12.00.00	Tensioning Support	1
18	L20NS-10.00.12	Sector	1



9. Tool holder Parts A31

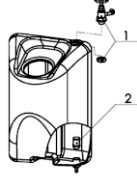
No.	Item No.	Description	Pcs.
1	A41.10.00	Quick Change	1
1.1	A31.12.00	Keylock Set	1
1.2	A41.11.00	Quick Change plate	1
1.3	A41.12.00	Security set	1
1.3.1	A41.00.05	Washer A41	1
2	A25.00.10-K	Buffer with two screw	6
2.1	M8X12DIN7991	Screw	12
2.2	A25.00.10	Buffer	6
3	A41.20.00-K	Driving Set A41	1
3.1	A41.20.03	Elastic Element	1
3.2	M6DIN985	Self Locking Nut	12
3.3	M6X40DIN7991	Screw	6
3.4	M6X30DIN7991	Screw	6
3.5	A41.21.00	Set of plates	1
4	M8x16DIN6921	Bolt	4
5	A41.20.01	Flange	1

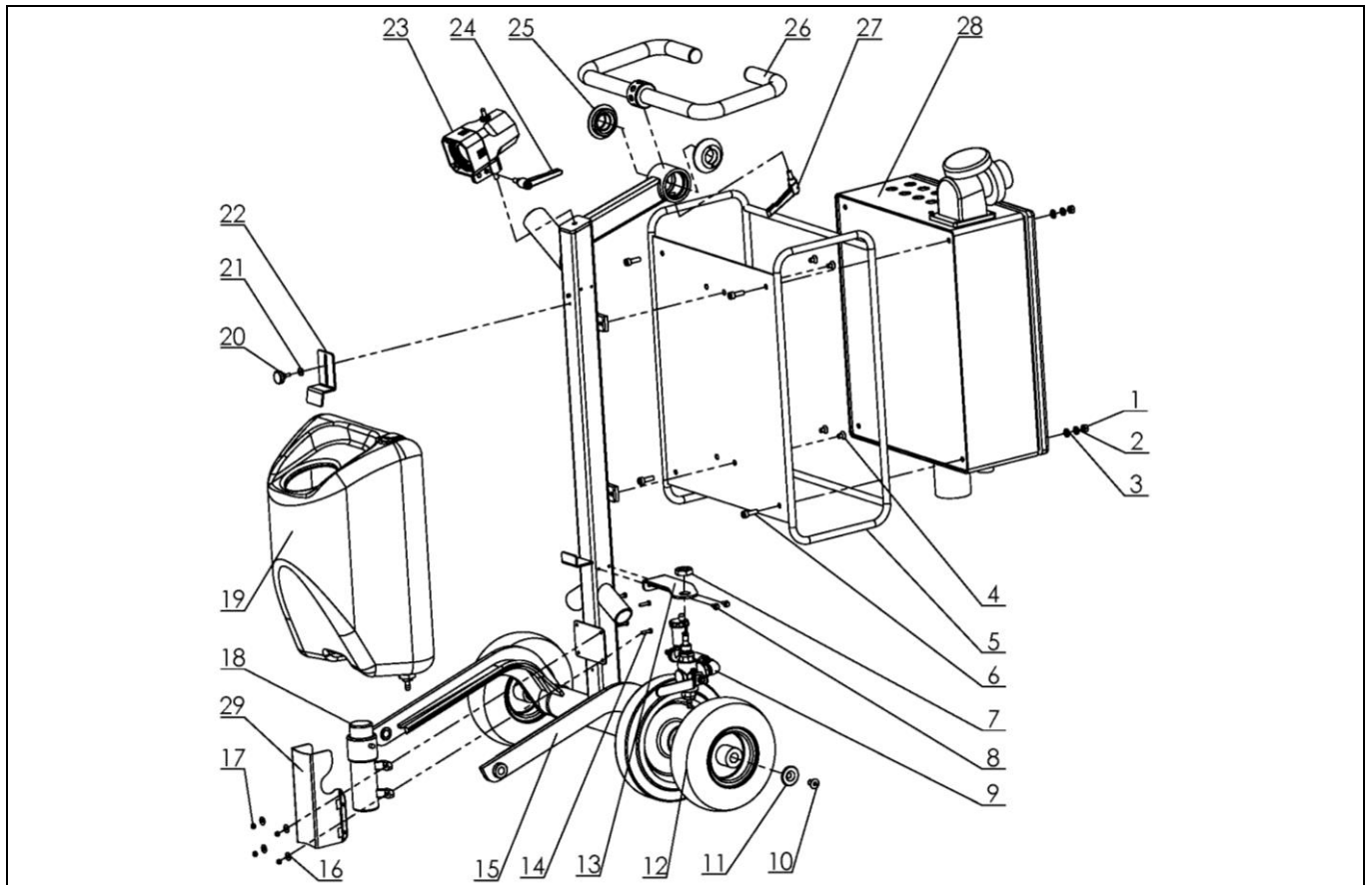
TRI-VARO 500 XE

Maschinen, Geräte, Fachwerkzeuge für
Raumausstatter, Fußbodenleger und
den Fußbodenbelagshandel

Artikelnr.: 112 990 800

Seite 6 von 7 / 2015-03

	10 Water Tank Parts			
	No.	Item No.	Description	Pcs.
	1	A29.50.00	Regulator	1
	2	1/2"	Filter	1



11 CARRIAGE PARTS

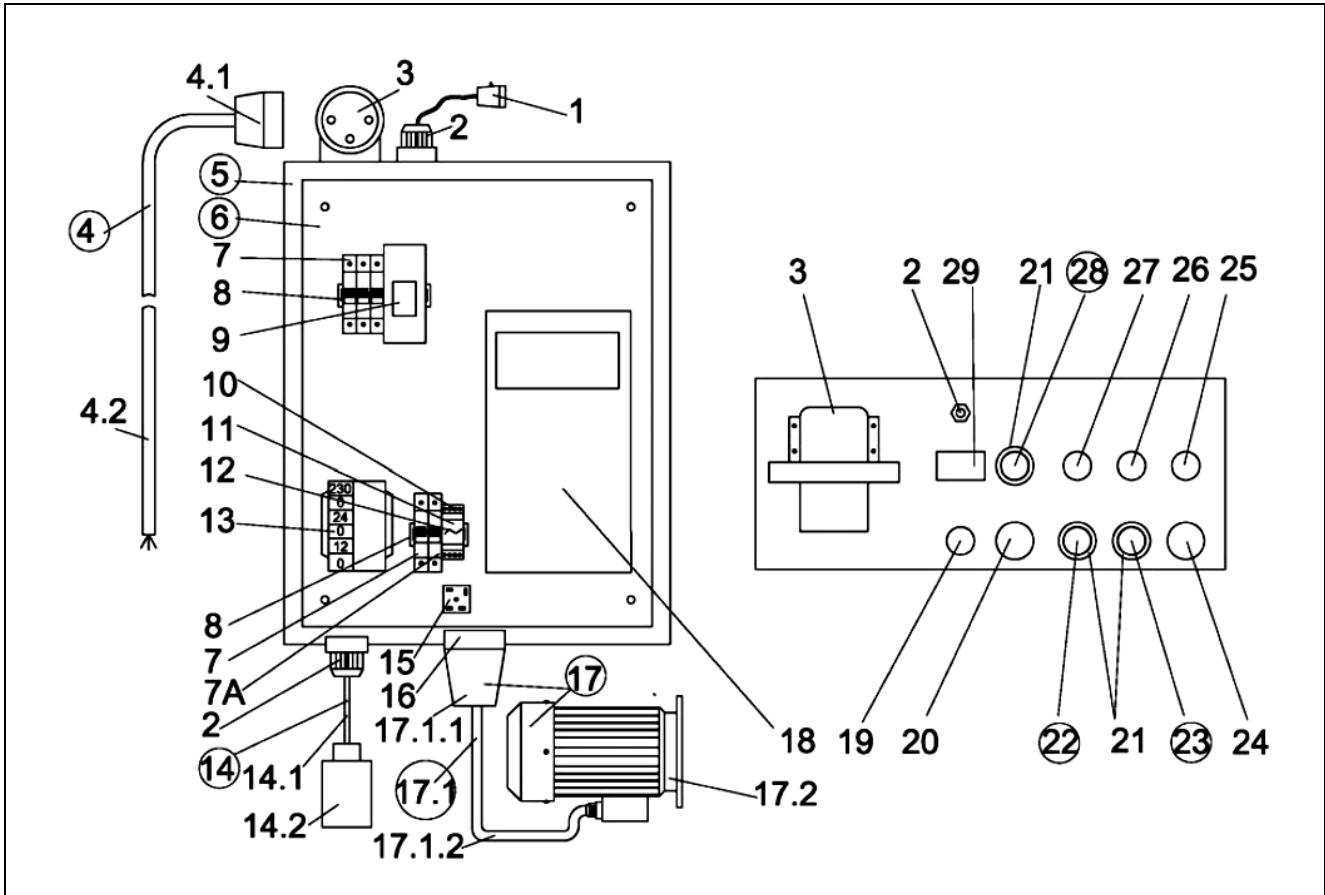
No.	Item No.	Description	Pcs.	No.	Item No.	Description	Pcs.
1	M8DIN934	Nut	4	17	M5DIN985	Nut	4
2	M8DIN127B	Spring Washer	4	18	1040	Water Pump	1
3	M8DIN125A	Washer	4	19	A33.10.00	Tank	1
4	M8X12DIN7991	Screw	4	20	T34391	Knob Bolt	1
5	L25S-22.00.00	Guard	1	21	M5UN732	Washer	1
6	M8X25DIN912	Screw	4	22	L25P-02.00.00.01	Top Bracket	1
7	M20X1.5DIN439B	Nut	1	23	L20NS-30.30.00	Lamp Unit Incl. Cable	1
8	M5X12DIN6921	Bolt	2	24	A58165	Swivel Bolt	1
9	A29.40.00	Water Flow Control Unit	1	25	M6X12DIN912	Screw	4
10	M10X16DIN7991	Screw	2	26	L20X-20.00.02	E	2
11	L32D-20.00.03	Cap	2	27	L20X-23.10.00	Handle Assembly	1
12	L3RK22608575K25PR4	Wheel	2	28	L20X-23.00.06	Locking bit	1
13	A29.20.01-01	Flow Unit Base	1	29	L25S-23.00.07	Spring	1
14	M5X20DIN933	Bolt	4	30	L25S-23.00.09	Nut	1
15	L20X-21.00.00	Carriage	1	31	F27160.TM08x40.01	Knob Bolt	1
16	L25S-20.00.26	Guard	1	32	L20X-30.00.00	Control Box	1

TRI-VARO 500 XE

Maschinen, Geräte, Fachwerkzeuge für
Raumausstatter, Fußbodenleger und
den Fußbodenbelagshandel

Artikelnr.: 112 990 800

Seite 7 von 7 / 2015-03



CONTROL BOX PARTS 200-240 Volt

No.	Item No.	Description	Pcs.
No.	Item No.	Description	Pcs.
1	L20NS-30.30.00	Lamp Unit Incl. Cable	1
2	L20NS-30.10.01	Cable Gland	2
3	L20S-30.10.02	Plug on Control Board	1
4	L20S-30.02.00	Cable with Connector	1
4.1	L20S -30.02.01	Connector	1
4.2	L20S-30.02.02	Cable	1
5	L20X-30.10.00	Metal Box	1
6	L20X-30.11.00	Metal Box Plate	1
7	L20NS-30.11.01	Circuit Breaker	4
7A	L32RSHV-	Circuit Breaker	1
8	L20NS-30.11.02	Rail	2
9	L13X-30.11.01	Contacteur	1
10	L20NS-30.11.04	Rail Base	1
11	L20NS-30.11.05	Rail	1
12	L20NS-30.11.06	Rail Bracket	1
13	L20NS-30.11.07	Transformer	1
14	L20NS-30.40.00	Water Pump with	1

No.	Item No.	Description	Pcs.
No.	Item No.	Description	Pcs.
15	L20NS-30.11.08	Rectifier	1
16	L20S-30.10.03	Socket	1
17	L20S-30.20.00	Electro Motor Assembly	1
17.1	L20S-30.20.10	Plug with Cable	1
17.1.1	L20S -30.20.01	Connector	1
17.1.2	L20S-30.20.12	Cable for Electro Motor	1
17.2	S204	Electro Motor	1
18	L20S-30.11.09	Inverter Yaskawa (V1000)	1
19	L20NS-30.10.04	Potentiometer	1
20	L32S-30.10.25	Switch On/Off led	1
21	L20NS-30.10.06	Cap	3
22	L20NS-30.10.07	STOP Button	1
23	L20NS-30.10.08	RUN Button	1
24	L20NS-30.10.10	Emergency Stop Button	1
25	L20NS-30.10.11	Switch Button F/R	1
26	L20NS-30.10.12	Green LED Power	1
27	L20NS-30.10.13	Water Pump Button	1